

EXCELiner and EXCELFlex INSTALLATION INSTRUCTIONS

These 2 types of chimney lining are intended for use with solid, liquid and gas fired appliances, including wood fired stoves, fireplaces and furnaces.

The liner should be the size recommended by the appliance manufacturer.

Use only EXCELiner and EXCELFlex components. Failure to do so will void the certification and warranty on the product.

Contact local building or fire officials about restrictions and installation inspection in your area.

Keep these installation and maintenance instructions for future reference. Take the time to fill up the details of your installation in section "Installation Reference" at page 4 of this manual.

KEEP YOUR CHIMNEY LINING CLEAN. Inspect your chimney a minimum of once every two months during heating season.

EXCELiner and EXCELFlex have been tested and listed to the ULCS635, ULCS640 and UL1777 Standards by INTERTEK



**ICC
INDUSTRIAL CHIMNEY COMPANY INC**

400 J.F. Kennedy, St-Jerome

Quebec, Canada, J7Y 4B7

Tel. : (450) 565-6336

Fax: (450) 565-6519

<http://www.icc-rsf.com>

MAINTENANCE - KEEP YOUR CHIMNEY CLEAN

Wood stoves can quickly create large deposits of creosote in the chimney. Some wood stoves can create enough creosote in two weeks to cause a chimney fire.

When using a wood stove, we recommend that you:

1. Initially inspect the chimney system weekly. From this you will learn how often it will be necessary to clean your chimney.
2. The chimney should be inspected at least once every two months during the heating season to determine if creosote or soot has built up. When a maximum of 1/4" of creosote or soot has accumulated, it should be removed to reduce the risk of a chimney fire.
3. Have your chimney cleaned by a qualified chimney sweep. If you want to clean your chimney yourself, then clean your chimney using a properly fitting nylon or steel brush. Do not use a brush that will scratch the stainless steel interior of the chimney liner.
4. Do not expect chemical chimney cleaners to keep your chimney clean. Their use does not negate the necessity of periodically inspecting and cleaning your chimney.

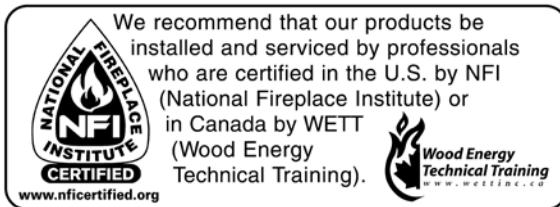
CHIMNEY FIRES

If you are having a chimney fire, follow these steps:

1. Close all heater doors and combustion air controls. For fireplaces, block the fireplace opening with a non-combustible material (such as a piece of sheet metal).
2. Alert your family to the possible danger.
3. If you require assistance, alert your fire department.
4. If possible, use a dry chemical fire extinguisher, baking soda or sand to control the fire. Do not use water as it may cause a dangerous steam explosion.
5. Watch for smouldering or flame on combustibles next to the stove, stovepipe and chimney. Check outside to ensure that sparks and hot embers coming out of the chimney are not igniting the roof.
6. Do not use the stove again until your chimney lining and stovepipes have been inspected by a qualified chimney sweep or fire department inspector.

GENERAL NOTES

1. A chimney must extend at least 3 feet above its point of contact with the roof and at least 2 feet higher than any wall, roof or adjacent building within 10 feet of it.
2. Do not vent a gas or oil-burning appliance into the same flue as a solid fuel-burning appliance. Do not vent more than one solid fuel-burning appliance into a single flue.
3. Before installing the liner into a masonry chimney, the chimney must be thoroughly cleaned and examined. Check to ensure that the chimney is structurally sound. Check for cracked, loose, or missing bricks, mortar, or other material that could inhibit correct installation of the liner.
4. Check carefully to ensure that the air space clearance between the chimney exterior and combustible materials meet the clearance requirements specified in the table on page 5.
5. You must install a rain cap on top of the liner. If a spark screen is required in your area as per authority having jurisdiction, an optional spark screen is available. Note that a spark screen may be susceptible to blockage due to freezing moisture in some cold weather areas. A rain cap with a spark screen installed needs to be inspected on a regular basis.
6. Rigid liner must be assembled using the stainless steel rivets provided. The correct rivets are provided with the liner.
7. Rigid liner should not extend more than 6 inches above the top support collar. For the flexible liner, leave about 2 inches above the top support collar, just enough to fix the rain cap. Using a single wall liner above a masonry chimney will cause the rapid accumulation of creosote. If you must extend the chimney above the existing masonry use ICC EXCEL insulated chimney.



INSTALLATION SAFETY

Installing a chimney liner can be very dangerous. We highly recommend that the installation be conducted by a certified professional installer.

Insure that all ladders are solidly anchored to the building and rest firmly on the ground. In many situations a correctly installed scaffold must be used to insure installer safety. Working on any roof is dangerous; we recommend the use of an approved safety belt whenever practical.

Always inspect the installation site carefully before starting. Pay particular attention to items such as power lines, antennas, and loose masonry.

Working with existing masonry chimneys can generate a large volume of dust, creosote and soot, as well as sharp masonry chips. Always wear gloves, eye protection, and a respirator mask.

Ensure that the existing chimney is structurally sound

These instructions are written on the assumption that the existing chimney is structurally sound. Before attempting to re-line the chimney inspect it for cracks, loose or eroded mortar, missing bricks, improper clearances, internal obstructions and any other structural problems.

Repair all structural problems before starting the liner installation.

INSTALLATION REFERENCE

At the end of the installation, take the time to fill the information in the table below for future reference.

Chimney liner model	<input type="checkbox"/> EXCELiner	<input type="checkbox"/> EXCELFlex
Date of installation		
Dealer Name Dealer Address		
Installer Name Installer Address		

**RIGID LINER - CLEARANCE REQUIREMENTS
EXCELiner 5" to 8" DIAMETER**

RIGID LINER	CANADA		USA
	ULC S635 (existing chimney)	ULC S640 (new chimney)	UL 1777
Any diameter Rigid Liner without insulation wrap	May be retrofit into any structurally sound masonry chimney.	0" from liner to masonry 2" ** from outside of chimney to combustible materials	0" from liner to masonry 1" from outside of chimney to combustible materials.
Any diameter Rigid Liner with one layer of 1/4" (minimum) Foil Faced Insulation Wrap*		0" from liner to masonry 1/2" from outside of chimney to combustible materials	0" from liner to masonry 0" from outside of chimney to combustible materials
5", 5 1/2" and 6" dia. Rigid Liner with one layer of 1/2" Foil Faced Insulation Wrap*		0" from liner to masonry 0" from outside of chimney to combustible materials	

**FLEXIBLE LINER - CLEARANCE REQUIREMENTS
EXCELFlex 4" to 8" DIAMETER**

FLEXIBLE LINER	CANADA		USA
	ULC S635 (existing chimney)	ULC S640 (new chimney)	UL 1777
Any diameter Flex Liner without insulation wrap	May be retrofit into any structurally sound masonry chimney.	Not Listed	0" from liner to masonry 1" from outside of chimney to combustible materials.
7" and 8" dia. Flex Liner with one layer of 1/2" (minimum) Foil Faced Insulation Wrap*		0" from liner to masonry 2" ***from outside of chimney to combustible materials	0" from liner to masonry 0" from outside of chimney to combustible materials
4", 5", 5 1/2" and 6" dia. Flex Liner with one layer of 1/2" Foil Faced Insulation Wrap*		0" from liner to masonry 0" from outside of chimney to combustible materials	

* See Insulated liners section.

** This clearance can be reduced to 1/2" in Canada for an exterior masonry chimney. An exterior chimney has at least one surface exposed to the outside atmosphere or unheated space over the majority of its height.

CERTIFICATION AND CLEARANCE REQUIREMENTS

EXCElLiner and EXCElFlex are certified to three different standards:


- The ULC S635 Standard for installation in existing masonry chimneys in Canada.
- The ULC S640 Standard for use as a flue in new masonry chimneys in Canada.
- The UL 1777 Standard for the installation in the USA.

The installation requirements vary depending on which Standard your installation is required to meet, particularly with respect to the required clearances from the liner. You must insure that your liner is installed in accordance with your local building codes.

EXCEL liners are certified to be installed in an existing masonry chimney whether or not there it has a clay tile liner, and may be used instead of a clay tile liner in a new masonry chimney.

The following listing labels are affixed on the EXCElLiner (rigid liner) and EXCElFlex (flexible liner).

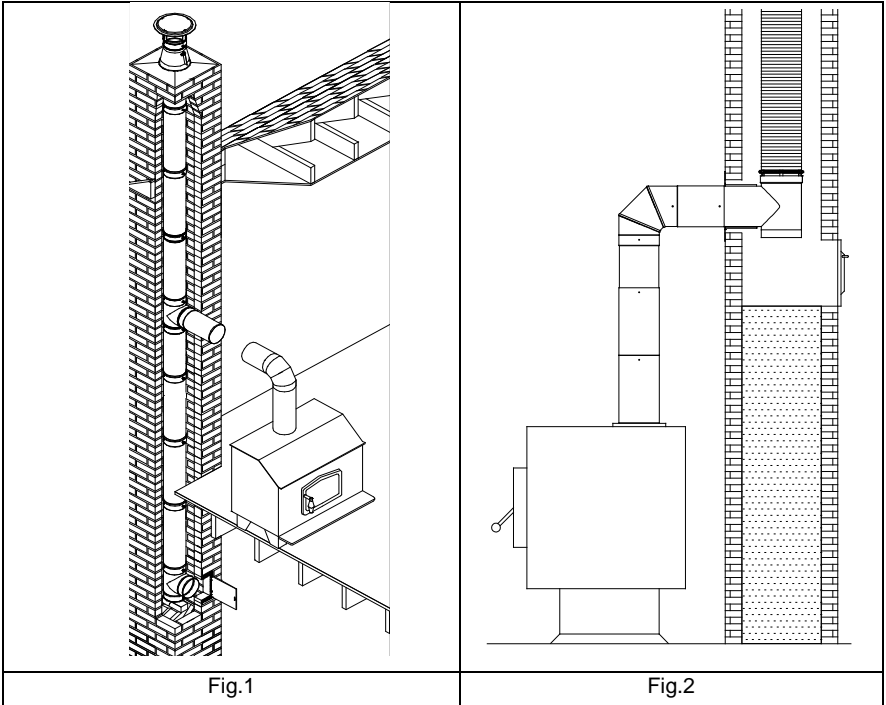
	CONFORMS TO / CONFORME À UL STD 1777 CERTIFIED TO / CERTIFIÉ À ULC STD S635,S640	MODEL / MODÈLE: EXCElLiner & EXCElFlex CLASS / CLASSE: 3	
	LINING SYSTEM FOR NEW OR EXISTING MASONRY OR FACTORY-BUILT CHIMNEYS AND VENTS GAINÉ POUR CHEMINÉES NEUVES OU EXISTANTES DE MAÇONNERIE OU PRÉFABRIQUÉES ET ÉVÉNTS		
CANADA	WARNING: INSTALL INSIDE NEW OR EXISTING MASONRY CHIMNEY OR IN CHIMNEYS APPROVED BY AUTHORITY HAVING JURISDICTION. FOR CONNECTION TO GAS, OIL AND SOLID FUEL BURNING APPLIANCES NORMALLY PRODUCING FLUE GASES OF 650°C OR LESS. INSTALL IN ACCORDANCE WITH ICC INSTALLATION INSTRUCTIONS. NO CLEARANCE REQUIRED BETWEEN THE LINER AND SURROUNDING MASONRY OR CONCRETE CHIMNEY. SEE ICC INSTRUCTIONS FOR THE MINIMUM CLEARANCES BETWEEN SURROUNDING MASONRY OR CONCRETE CHIMNEY AND COMBUSTIBLE MATERIALS.		
	AVERTISSEMENT: POUR INSTALLATION À L'INTÉRIEUR DE CHEMINÉES DE MAÇONNERIE NEUVES OU EXISTANTES OU À L'INTÉRIEUR DE CHEMINÉES PRÉFABRIQUÉES ACCEPTÉES PAR LES AUTORITÉS COMPÉTENTES. POUR RACCORDEMENT À DES APPAREILS AUX GAZ, À L'HUILE ET AU BOIS, PRODUISANT DES TEMPÉRATURES D'ÉVACUATION DE 650°C OU MOINS, LA GAINÉ DOIT ÊTRE INSTALLÉE SELON LES INSTRUCTIONS D'INSTALLATION D'ICC. AUCUN DÉGAGEMENT REQUIS ENTRE LA GAINÉ ET LA MAÇONNERIE. VOIR LE LIVRET D'INSTALLATION POUR LES DÉGAGEMENTS MINIMAUX ENTRE LA MAÇONNERIE ET LES MATÉRIAUX COMBUSTIBLES.		
USA	INSTALL AND USE ONLY IN ACCORDANCE WITH ICC INSTALLATION INSTRUCTIONS. MINIMUM CLEARANCE OF 1 INCH AIR SPACE BETWEEN COMBUSTIBLE MATERIALS AND CHIMNEY EXTERIOR. THIS CLEARANCE CAN BE REDUCED TO 0 INCH AIR SPACE IF THE LINER IS INSULATED (SEE ICC INSTALLATION INSTRUCTIONS FOR DETAIL). FOR USE ONLY WITH APPLIANCES WHICH BURN SOLID, OIL OR CATEGORY I NATURAL GAS OR PROPANE.		
ICC Industrial Chimney Company Inc., St-Jerome, Quebec, Canada ICC Compagnie de cheminées industrielles inc., St-Jérôme, Québec, Canada		Made in Canada Fabriqué au Canada	933260

	CONFORMS TO / CONFORME À UL STD 1777 CERTIFIED TO / CERTIFIÉ À ULC STD S635,S640		
	LINING SYSTEM RECOGNIZED COMPONENT FOR NEW OR EXISTING MASONRY OR FACTORY-BUILT CHIMNEYS AND VENTS COMPOSANTE RECONNUE DE GAINÉ POUR CHEMINÉES NEUVES OU EXISTANTES DE MAÇONNERIE OU PRÉFABRIQUÉES ET ÉVÉNTS		
FOR USE ONLY WITH ICC MODEL EXCElLiner OR EXCElFlex LINING SYSTEM. LINING SYSTEM MUST BE INSTALLED AND USED IN ACCORDANCE WITH ICC INSTALLATION INSTRUCTIONS.			
POUR ÊTRE INSTALLÉ ET UTILISÉ SEULEMENT AVEC LA GAINÉ MODÈLE EXCElLiner OU EXCElFlex D'ICC. LA GAINÉ DOIT ÊTRE INSTALLÉE SELON LES INSTRUCTIONS D'INSTALLATION D'ICC.			
ICC Industrial Chimney Company Inc., St-Jerome, Quebec, Canada ICC Compagnie de cheminées industrielles inc., St-Jérôme, Québec, Canada		Made in Canada Fabriqué au Canada	933261

INSTALLATION INSTRUCTIONS

Straight up in a masonry chimney

1. Determine the location of the opening where you want the liner to pass through the masonry chimney wall (Fig.1 and Fig.2). In general, the higher up on the wall you install the tee the better, this will improve draft and reduce liner cost. Remember: A single wall stove pipe must be at least 18" from combustible materials including the ceiling. If you must penetrate a combustible wall to connect the liner to the appliance you should use an insulated thimble (ITH). Installation instructions for the insulated thimble are included with the part.

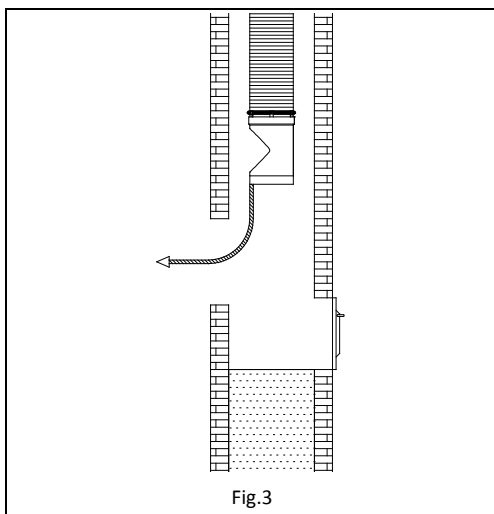


2. Make an opening in the masonry at the height determined above. If you wish to install a clean out tee then make a second opening below the first. A clean out tee will allow you to clean your vertical chimney without removing the stovepipe.
3. Measure the height from the opening in the masonry chimney to the top of the chimney. Lay out the liner lengths to insure that you have the correct parts for the job.

4. **EXCELiner (rigid):** Attach the first vertical length to the vertical portion of the tee and fasten with the three stainless steel rivets provided. Don't attach the horizontal portion of the tee yet. The male end of each liner length should always point downwards. Be sure to put a stainless steel rivet in each pre-punched hole.

EXCELFlex (flexible): Attach one end of the flex to the vertical portion of the tee and secure it by tightening the collar. No rivets or screws are required.

5. The easiest way to lower the liner into the chimney is to attach a hook to a lightweight chain or rope, then put the hook on the mouth of the tee section with the rope running on the outside of the stainless steel liner system (see Fig.3). For the rigid liner continue attaching vertical lengths until the tee is aligned with the opening made in step 2. Lowering the liner is easier with two people.



Installation steps inside the house:

6. Measure the horizontal distance between the tee mouth and where the liner will terminate in the room. Rivet the required length to the horizontal branch of the tee mouth before installing it on the vertical tee section. The Adjustable Snout Tee (LTA for rigid, FTA for flex) simplifies this job.
7. Align the horizontal tee section with the tee opening and fasten it with the stainless steel screws provided.

Before completing steps 8 and 9 inside the house, it is suggested to complete the installation of the Top Support (LSA for rigid, FSA for flex) (page 13).

8. Seal with cement the space between the outside of the tee section and the masonry chimney.

For installations in the USA with a **non-insulated flexible liner only**, install the masonry sleeve (MS) and seal the space between the sleeve and the masonry chimney with cement.

9. Fasten the trim collar to the masonry wall.

Installing EXCELiner (rigid) through the fireplace damper area

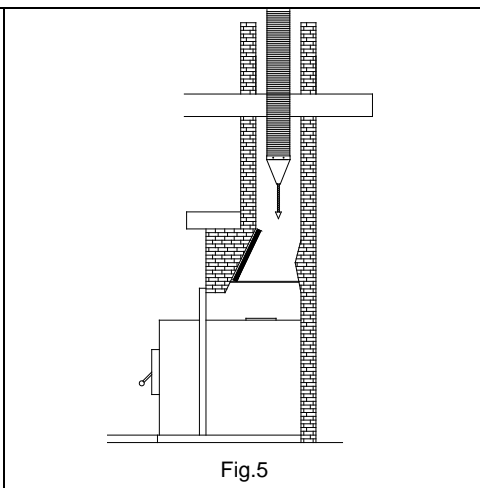
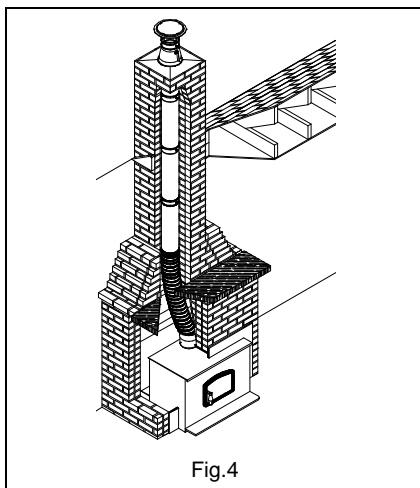
1. Measure the distance from the top of the masonry chimney to the smoke shelf area immediately above the damper.
2. Measure the distance from the smoke shelf to where you want the liner to terminate inside the fireplace opening.
3. Lay out the liner elbows and lengths to determine that you have the correct parts. Usually the offset through the damper area requires a pair of 45° elbows (LE45) or an adjustable 90° elbow (LEA90).
4. If there is enough space around the liner, fasten one elbow to the first liner section, the male end always points down. The easiest way to lower the liner into the chimney is to attach a hook to a rope, then put the hook through the bottom of the elbow with the rope running on the outside of the chimney. Continue attaching vertical lengths until the elbow is about 1 inch above the smoke shelf. Be sure to put a stainless steel rivet in each pre-punched hole. Remove the rope or the chain.
5. From the bottom, fasten the angled liner section to the elbow, be sure to use the three stainless steel rivets provided. Attach the return elbow and short vertical length as required.
6. If the liner is being used to re-line a masonry fireplace and no insert is being installed then the return elbow should be attached to a Base Support (LSB). This plate fastens to the fireplace throat with masonry anchors and has a collar, which holds the lining securely in place.

Installing EXCELiner through a masonry fireplace in combination with a flexible liner

It is very difficult and in many cases impossible to install a liner through the damper area of a masonry fireplace unless the damper has been removed. These instructions are written based on a typical masonry fireplace with the damper removed.

It may be preferable to use a combination of EXCELiner and EXCELFlex (or other listed flex) in the system. This is especially useful when installing a liner through a masonry fireplace (Fig.4).

When installing flexible liner as a connector from a fireplace insert through the throat of a fireplace the insulation wrap is not required. Flexible liner can also be used as a substitute for rigid elbows. EXCELiner can be used in combination with all brands of UL and ULC approved flexible chimney liner.



In most cases the best way to install liner through the damper area is to use a section of flexible liner.

1. Measure the distance from the top of the masonry chimney to the smoke shelf area immediately above the damper.
2. Measure the distance from the smoke shelf to where you want the lining to terminate inside the fireplace opening. Cut your flexible lining to suit this measurement.
3. Fasten the flexible liner to the EXCELiner with the stainless steel rivets provided. In most cases you will not require a flex adapter if the flexible

liner is below the rigid liner because the male end of the rigid liner will fit directly into the flex.

4. Lower the liner into the masonry chimney from the top. The easiest way to lower the liner into the chimney is to attach the Nose Cone (NC) (Fig.5) to the base of the flex liner with a rope attached to the nose cone. Let the rope run down the chimney and gently pull the rope. As the liner descends, attach more lengths at the top until the flexible liner rests on the smoke shelf, and then attach one more section. Be sure to put a stainless steel rivet in each pre-punched hole. Remove the rope or chain.
5. From the bottom pull the flexible lining through the fireplace throat. Make sure it extends far enough into the fireplace (Fig.4) to connect with the appliance.
6. If the liner is being used to re-line a masonry fireplace and no insert is being installed, then the liner should be attached to a Base Support (LSB). This plate fastens to the fireplace throat with masonry anchors and has a collar which holds the liner securely in place.

If the liner is being connected to an insert or another type of appliance, refer to the next section "Using adapters for EXCELFlex".

To complete the outside portion of the installation, refer to the section "Installing the Top Support" on page 13.

Using adapters for EXCELFlex

In general you do not require an adapter if flex is installed below rigid EXCELiner. The male end of an EXCELiner length will fit inside most standard diameter flexible liners (Fig.6). If the flexible liner is installed above the rigid liner, the Flex Adapter (LAF) will be required to connect them properly and is available in a variety of diameters. The Flex Adapter is also commonly used to connect a flexible liner to the flue collar on a stove or fireplace insert. For example, the 6LAF5 connects an insert with a 6" outlet to a 5" diameter flexible liner.

A Flex to Flex Adapter (FF) is also available to connect two sections of flexible liner together. No screws or rivets are required; simply tighten the collars which are part of the adapter (Fig.7).

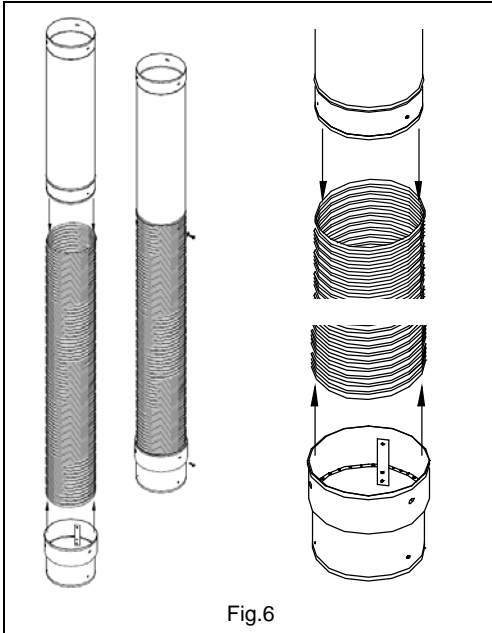


Fig.6

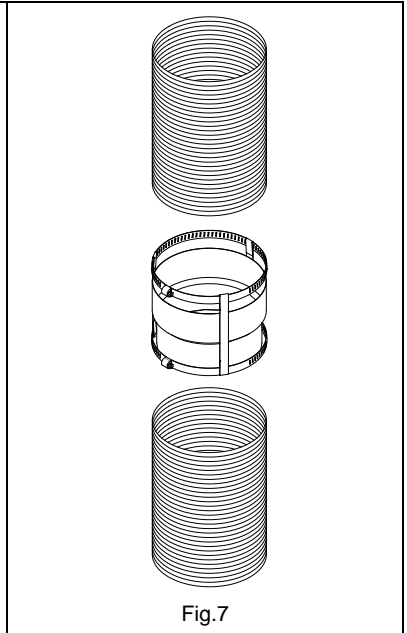


Fig.7

The Offset Box with Cleanout (FOB) (Fig.8) allows for a connection when the space between the appliance and the masonry opening is tight. The length of the box can be adjusted to simplify installation, and a removable cleanout door of the front provides access for cleaning.

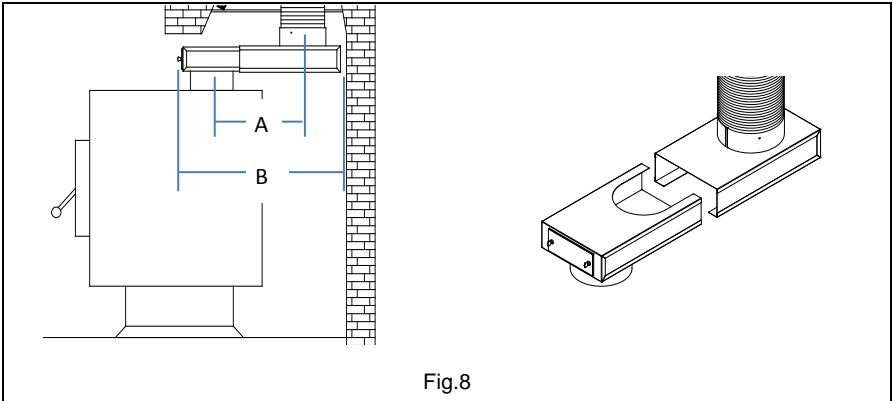


Fig.8

Ø	Dimension	MAX	MIN
6"	A	10 1/2"	6 3/8"
	B	20 5/8"	16 3/8"
8"	A	9 1/2"	6 5/8"
	B	21 5/8"	18 5/8"

Installing the top support

The top support serves three different functions.

- It supports the chimney liner.
- It seals out moisture.
- It enables the system to expand and contract freely.

Do not fasten the chimney liner directly to the top support plate. The support plate/support collar system has been designed to permit the liner to expand and contract.

A single wall liner that extends above the top of a masonry chimney will cause the rapid accumulation of creosote. If you must extend the chimney above the existing masonry, use an ICC EXCEL insulated chimney.

1. Slide the top support plate over the chimney lining and place it on the top of the crown or flue tile. If you are mounting to a flue tile you may wish to trim the support plate to fit (Fig.9).

For Rigid Liner: Slide the top support collar down until it rests on the top support plate and tighten it firmly. Be sure to fasten the support collar to the lining with the stainless steel rivets provided (Fig.9). As mentioned at the beginning of this manual in section "General", choose your lengths not to exceed 6 inches above the collar of the top support.

For Flexible Liner: Slide the top support collar down until it rests on the support plate and tighten it firmly. Be sure to fasten the support collar to the lining with the stainless steel screws provided (Fig.10). As mentioned at the beginning of this manual in section "General", cut the liner to leave about 2 inches above the collar of the top support.

2. Fasten the top support plate to the top of the chimney with silicone, masonry anchors or with thinset mortar.
3. Seal any gaps between the support plate and the masonry with silicone.
4. Fasten the rain cap with the rivets or screws provided.

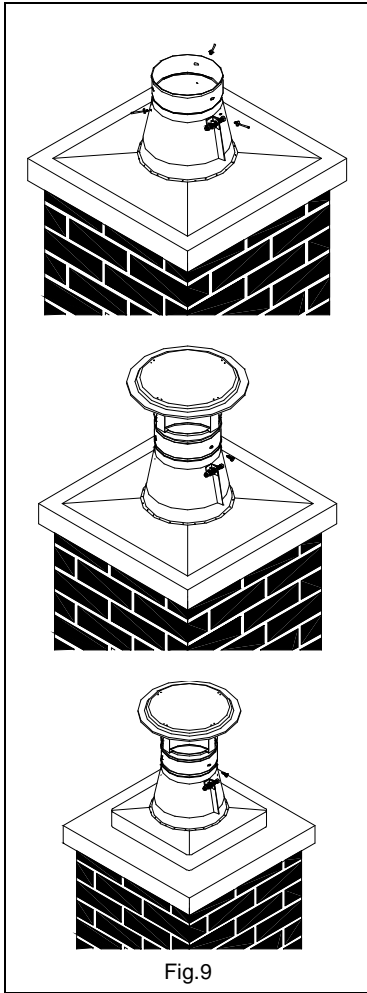


Fig.9

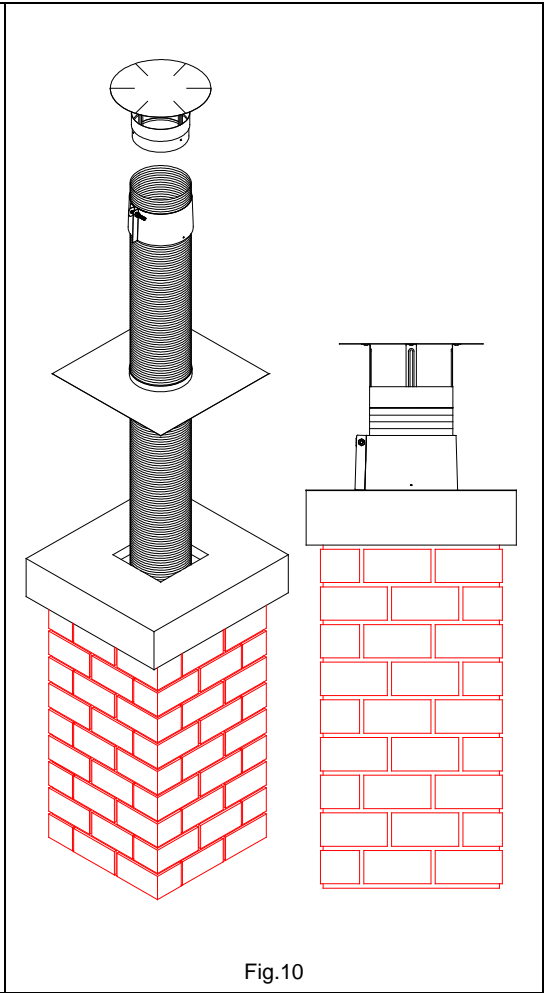


Fig.10

Insulated Liners

In general, liner systems that are insulated will provide better performance than non-insulated systems. An insulated system will accumulate less creosote and provide better draft than a non-insulated system. Insulation is a code requirement for some installations; see the table on page 5 to determine if insulation is required for your application.

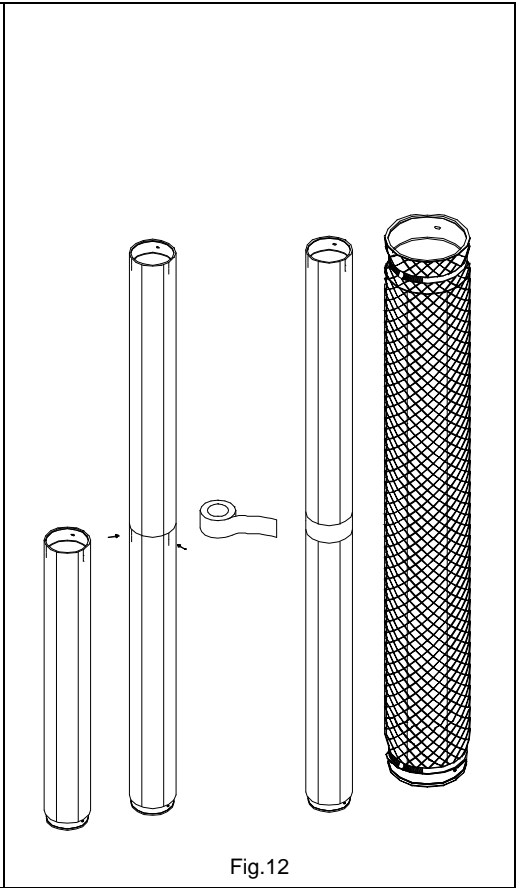
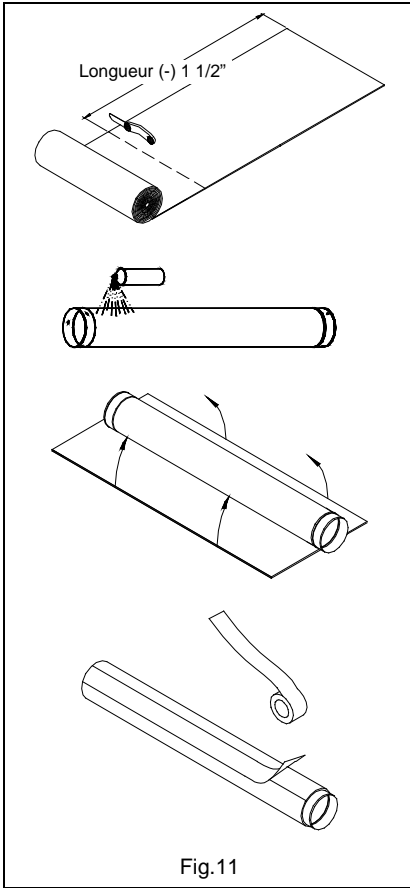
Installing the insulation wrap

The types of insulation accepted are:

- Thermal Ceramics, Cerablanket/Cerawool; 8 lb/cu.ft
- Premier Refractories Canada, Type LT; 8 lb/cu.ft
- All Fabrication Inc., Hi-Temp Blanket; 8 lb/cu.ft
- Thermal Ceramics, Kaowool blanket; 8 lb/cu.ft
- Unifrax, Durablanket; 8 lb/cu.ft

The insulation wrap is available in three widths to fit different liner diameters. You can either insulate one liner length at a time or pre-assemble a few liner lengths and insulate them with one long length of insulation.

1. Lay the blanket on a flat surface and cut it 1 1/2" shorter than the assembled liner length. Do not install insulation on the last 2" of liner below the top support plate. This will permit the support collar to be solidly fastened and allow for expansion and contraction.
2. Spray the liner with adhesive (Fig. 11).
3. Wrap the blanket around the liner, starting just above the bead on the male end - the male end should be left exposed to connect to the next section. The female end must be insulated.
4. Tape all vertical seams with foil tape.
5. Using a knife or a sharp object such as an awl, cut or pierce the insulation wrap where you need to install rivets.
6. Once the liner sections are riveted together tape all horizontal seams.
7. Slip the mesh sleeve over the insulated liner starting at the male end, you may find it easier if you roll the mesh sleeve up on to itself like a stocking (Fig. 12).
8. Once you have fully covered the insulated liner with mesh fasten it in place with two stainless steel clamps per length of stainless steel mesh.



LIMITED LIFETIME WARRANTY RESIDENTIAL CHIMNEY EXCELiner & EXCELFlex Chimney Liner

ICC warrants its stainless steel chimney liners to be free from functional failure due to defects in material or workmanship for as long as the original consumer owns the chimney system. This warranty provides for replacement of any stainless steel components, except rain caps, which fail as a result of normal use with a residential freestanding fireplace, wood burning stove, furnace or boiler, including damage to the liner due to a chimney fire. This warranty does not cover damage caused to the original masonry chimney, or to the building, by chimney fires or misuse of the product.

Note: Chimney fires are dangerous and preventable; we strongly encourage you to have your chimney liner cleaned regularly.

ICC will only be responsible for repair or replacement of stainless steel components found to be defective under this warranty. In no event shall ICC be responsible for any incidental or consequential damage caused by defects in the EXCELiner and EXCELFlex stainless steel chimney liner system.

During the first ten years of the warranty ICC will repair or replace any defective stainless steel components, except rain caps, at no charge. For the balance of the warranty ICC will provide replacement stainless steel components at 50% of the current retail price at the time of the warranty claim. To obtain service under this warranty the defective liner should be returned to the dealer from whom it was purchased. If you are unable to return the liner to the original dealer contact ICC for the name of the closest dealer who can assist you. ICC will not be responsible for shipping charges related to warranty replacements.

ICC will not be responsible for labor of any kind required in the removal or replacement of an EXCELiner or EXCELFlex chimney liner system replaced under this warranty.

This liner is designed to vent residential heating oil, untreated wood, low sulphur coal and natural or LP gas. It is designed to operate at a continuous temperature of 1200°F or less. It is not designed to vent condensing gas or condensing oil appliances. This warranty is void if the liner is used in an application for which it is not designed.

The EXCELiner and EXCELFlex chimney liner systems must be installed according to the Installation Instructions included with every system at the time of purchase. If you do not have a set of installation instructions they are available free upon request. This warranty is void if the liner system is not installed according to the installation instructions.

This warranty may not be extended or modified by our agents or representatives. This warranty is in lieu of all other express warranties or guarantees of any kind.

GARANTIE À VIE LIMITÉE CHEMINÉE RÉSIDENTIELLE ICC EXCEL Gaine Rigide et Flexible

ICC garantit ses longueurs de gaine en acier inoxydable contre toute défaillance fonctionnelle résultant de défauts du matériel ou de fabrication pour aussi longtemps que le propriétaire original possède la cheminée. Cette garantie assure le remplacement de toutes les composantes en acier inoxydable, à l'exception des chapeaux de pluie qui s'avèreraient défectueux, suite à une utilisation normale avec un foyer résidentiel autoporteur, un poêle à bois, une fournaise ou une chaudière résidentielle et inclut les dommages causés à la gaine suite à un feu de cheminée. Cette garantie ne couvre pas les dommages causés à la cheminée de maçonnerie originale ou au bâtiment par les feux de cheminée ou l'usage abusif du produit.

Note : Les feux de cheminée sont dangereux mais évitables; nous vous recommandons fortement de nettoyer régulièrement votre cheminée.

ICC ne sera responsable que des réparations ou du remplacement des composantes en acier inoxydable qui s'avèreraient défectueuses, selon les dispositions de la présente garantie. En aucun cas, ICC ne pourra être tenue responsable de quelque dommage que ce soit, accidentel et subéquent, causé par des défauts du système de cheminée EXCEL Gaine Rigide et Flexible.

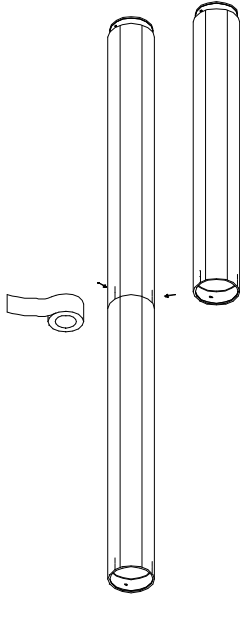
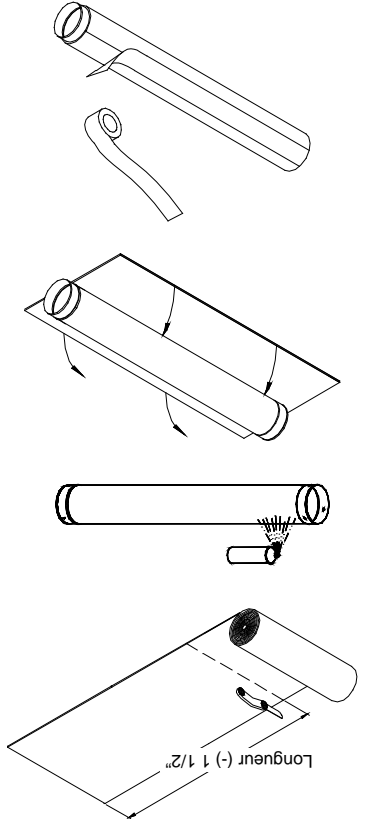
Durant les dix premières années de la garantie, ICC réparera ou remplacera sans frais les composantes en acier inoxydable, à l'exception des chapeaux de pluie, qui s'avèreraient défectueux, selon les dispositions de la présente garantie. Pour le reste de la période de la garantie, ICC remplacera les composantes en acier inoxydable à 50% du prix de détail courant au moment de la réclamation. Pour obtenir le service selon les termes de la présente garantie, la gaine défectueuse doit être retournée au détaillant de qui elle avait été achetée. Si vous êtes incapable de retourner la gaine au détaillant original, contactez ICC pour obtenir le nom du détaillant de plus près de chez vous qui pourra vous aider. ICC ne sera pas responsable des frais d'expédition associés aux remplacements sous garantie.

ICC n'assurera aucune responsabilité pour les frais de main-d'œuvre de quelque nature que ce soit, requis pour l'enlèvement ou le remplacement d'un système de cheminée EXCEL Gaine Rigide ou EXCEL Gaine Flexible, remplacé selon les dispositions de la présente garantie.

Cette cheminée est conçue pour évacuer les gaz de combustion du mazout résidentiel, du bois non traité, du charbon à basse teneur en soufre et du gaz naturel ou propane. Elle est conçue pour fonctionner à une température continue de 650° C (1200° F) ou moins. Elle n'est pas conçue pour l'utilisation d'appareils qui condensent à l'huile ou au gaz. La présente garantie sera nulle et non avenue si la cheminée est utilisée à une fin à laquelle elle n'est pas destinée.

Le système de cheminée EXCEL Gaine Rigide et Flexible doit être installé conformément aux directives d'installation incluses avec chaque système, au moment de l'achat. Si vous n'avez pas reçu un exemplaire de la notice d'installation, elle vous sera offerte gratuitement sur demande. La présente garantie est nulle et non avenue si le système EXCEL Gaine Rigide n'est pas installé conformément aux directives d'installation.

La présente garantie ne peut être prolongée ou modifiée par nos agents ou représentants. Cette garantie a préséance sur toute autre garantie de quelque nature que ce soit.



Installation de la couverture isolante

Les types d'isolant acceptés comme couvertures isolantes de la gaine rigide EXCEL sont :

- Thermal Ceramics, Cerablanke/Cerawool; 8 lb/pied cube.
- Premier Refractories Canada, Type LT; 8 lb/pied cube.
- All Fabrication Inc., Hi-Temp Blanket; 8 lb/pied cube.
- Thermal Ceramics, Kaowool blanket; 8 lb/pied cube.
- Unifrax, Durablanke; 8 lb/pied cube.

La couverture isolante est offerte en trois largeurs correspondant à des diamètres de gaine différents. Vous avez le choix d'isoler une longueur à la fois ou d'assembler auparavant plusieurs longueurs.

1. Disposez la couverture sur une surface plane et découpez une longueur ayant 1 1/2" de moins que la gaine. Ne mettez pas d'isolant sur les derniers 2" de la gaine, sous la plaque du support supérieur. Cela permettra de fixer solidement le collet du support tout en facilitant la dilatation et la contraction.

2. Vaporisez l'adhésif sur la gaine (Fig. 11).

3. Enroulez la couverture isolante autour de la gaine, en débutant juste au-dessus du bourrelet de l'extrémité mâle – l'extrémité mâle doit être dégagée pour se raccorder à la longueur suivante. L'extrémité femelle doit être isolée.

4. Appliquez du ruban métallique sur les joints verticaux.

5. À l'aide d'un couteau ou d'un outil pointu, telle qu'une alène, coupez ou percez la couverture isolante aux emplacements des rivets.

6. Lorsque toutes les longueurs de gaine sont fixées, appliquez le ruban sur tous les joints horizontaux.

7. Insérez le manchon à maille par-dessus la gaine isolée en partant de l'extrémité mâle; pour faciliter l'opération, enroulez le manchon sur lui-même, à la façon d'une chaussette (Fig. 12).

8. Lorsque le manchon à maille enveloppe complètement la gaine, maintenez-le en place à l'aide de deux colliers.

Gaines isolées

De façon générale, les gaines isolées augmentent habituellement la performance des systèmes d'évacuation par rapport aux gaines non-isolées. Elles créent moins de créosote et améliorent le tirage. Consultez le tableau de la page 5 pour déterminer si l'isolation des gaines est obligatoire dans votre cas.

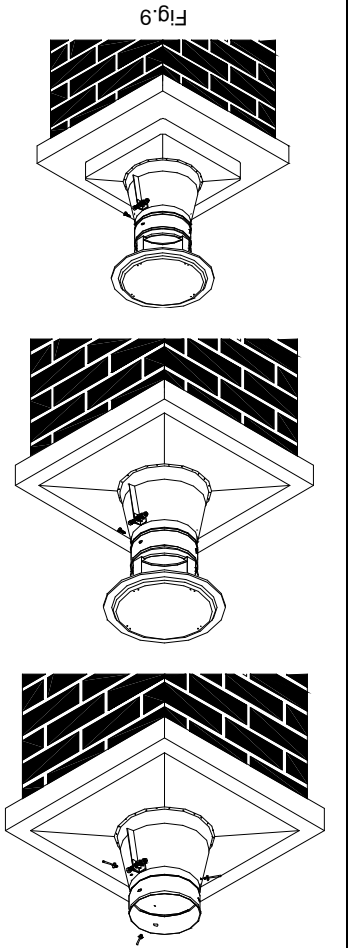


Fig. 9

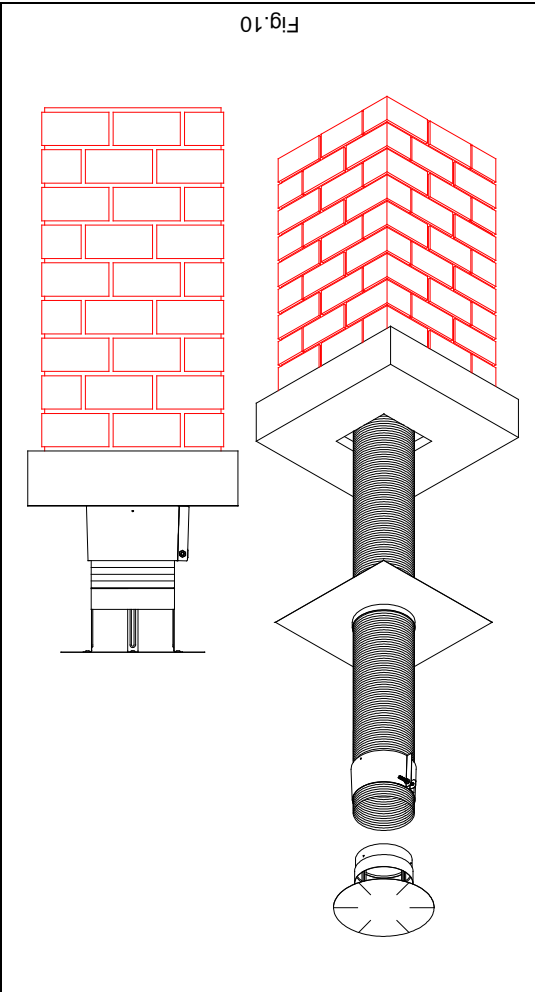


Fig. 10

Installation du support supérieur

Le support supérieur remplit trois fonctions différentes :

- Il supporte la gaine de la cheminée;
- Il protège de l'humidité;
- Il permet au système d'évacuation de se dilater et de se contracter librement.

Ne fixez pas la gaine directement à la plaque du support supérieur. Le système plaque/collet du support a été conçu pour permettre la dilatation et la contraction de la gaine.

Une gaine à paroi simple qui dépasse la cheminée de maçonnerie provoquera une accumulation rapide de crasse. Si vous devez prolonger la cheminée au-delà de la maçonnerie existante, employez une cheminée isolée EXCEL de la compagnie ICC.

1. Insérez la plaque du support supérieur par-dessus la gaine de cheminée et placez-la au sommet du couronnement ou du boisseau. Si la mise en place a lieu au sommet du boisseau, il est possible de découper la plaque du support pour qu'elle en adopte le contour (Fig.9).

Pour la gaine rigide : Insérez le collet du support supérieur par-dessus la gaine rigide pour qu'il s'appuie sur le cône du support et serrez-le solidement sur la gaine. Fixer le collet du support à la gaine à l'aide des rivets en acier inoxydable qui sont fournis (Fig. 9). Comme mentionné au début de ce manuel dans la section "Généralités", faites le choix des longueurs de gaine pour ne pas avoir plus de 6 pouces de gaine au-dessus du collet du support supérieur.

Pour la gaine flexible : Insérez le collet du support supérieur par-dessus la gaine flexible pour qu'il s'appuie sur le support et serrez-le solidement sur la gaine. Fixer le collet du support à la gaine à l'aide des vis en acier inoxydable qui sont fournis (Fig. 10). Comme mentionné au début de ce manuel dans la section "Généralités", coupez la gaine pour laisser environ 2 pouces de gaine au-dessus du collet du support supérieur.

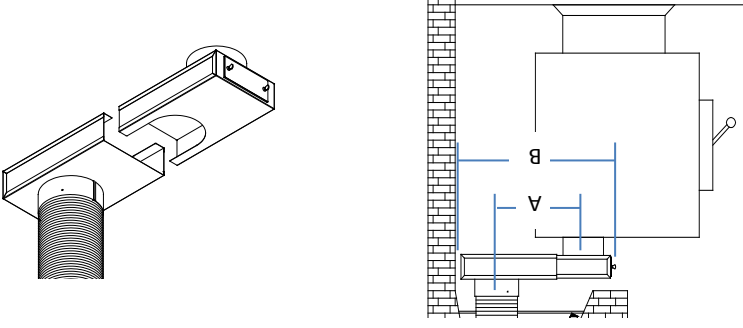
2. Fixez la plaque du support supérieur au sommet de la cheminée avec du scellant silicone, des ancrages à maçonnerie ou du ciment à prise rapide.

3. Bouchez, avec du scellant silicone, toute cavité entre la plaque du support et la maçonnerie.

4. Fixez le chapeau à l'aide des rivets ou des vis fournis.

Ø	Dimension	MAX	MIN
8"	B	21 5/8"	18 5/8"
	A	9 1/2"	6 5/8"
6"	B	20 5/8"	16 3/8"
	A	10 1/2"	6 3/8"

Fig.8



Le boîtier de déviation et nettoyage (FOB) pour les encastrables (Fig.8) permet la connexion lorsque l'espace entre l'appareil et l'enceinte de maçonnerie est restreint. La longueur du boîtier est ajustable pour simplifier l'installation et la porte à l'avant donne un accès pour le nettoyage.

Fig.6

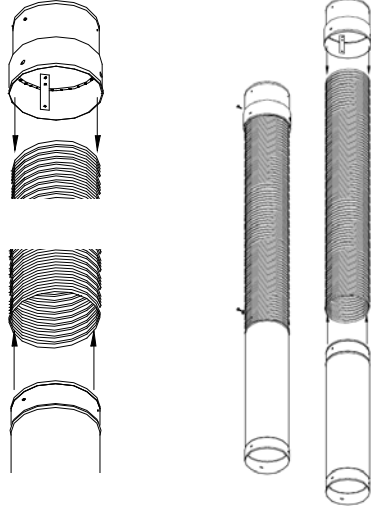
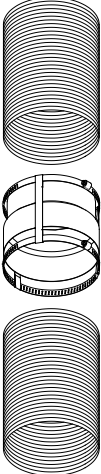


Fig.7



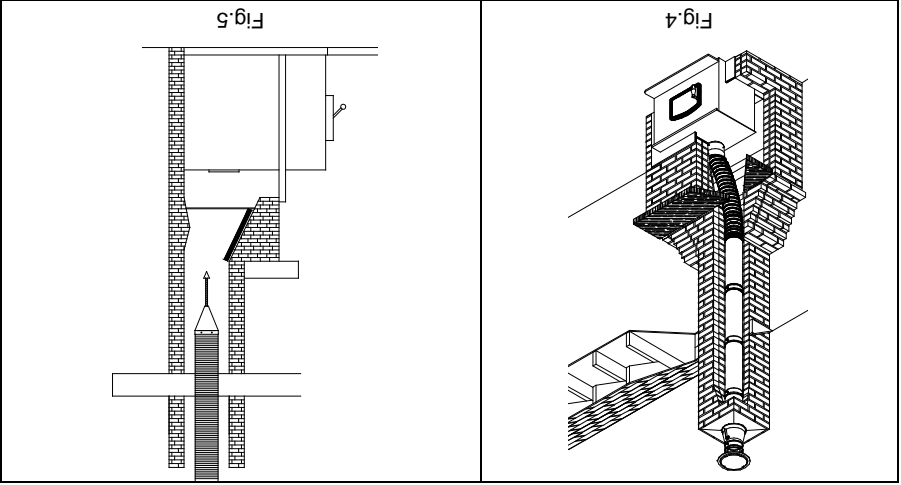
Un raccord flexible à flexible (FF) est aussi disponible pour joindre deux longueurs d'EXCEL Gaine Flexible ensemble. Aucune vis n'est requise, simplement serrer les collets de serrage prévus à cet effet (Fig.7).

D'une façon générale, vous n'avez pas besoin d'un raccord si la gaine flexible est installée en dessous de l'EXCEL Gaine Rigide. L'extrémité mâle d'une longueur d'EXCEL Gaine Rigide conviendra aussi à la plupart des gaines flexibles de diamètre standard (Fig.6). Si la gaine flexible est installée au-dessus de l'EXCEL Gaine Rigide, un adaptateur pour gaine flexible (LAF) disponible en plusieurs diamètres sera requis pour une connexion adéquate. On utilise aussi souvent ce genre d'adaptateur pour relier une gaine flexible au collet de sortie d'un poêle ou encastrable. À titre d'exemple, le 6LAF5 serait utilisé pour la connexion d'un encastrable muni d'une buse de sortie de 6" avec une gaine flexible de 5" de diamètre.

Utilisation des raccords pour EXCEL Gaine Flexible

2. Mesurez la distance entre la tablette à fumée et l'endroit où se loge l'extrémité de la gaine à l'intérieur de l'orifice du foyer. Découpez la gaine flexible selon la longueur obtenue.
 3. Fixez la gaine flexible à l'EXCEL Gaine Rigide à l'aide des rivets en acier inoxydable fournis. La partie mâle de la gaine rigide s'accouple directement à l'intérieur de la gaine flexible.
 4. Faites descendre la gaine flexible à l'intérieur de la cheminée à partir du haut. La manière la plus facile d'introduire la gaine à l'intérieur de la cheminée est de fixer le cône d'installation (NC) d'ICC (Fig.5) à la base de la gaine flexible et d'y attacher un câble. Laissez courir le câble à l'intérieur de la cheminée et tirez doucement sur le câble vers le bas. Continuez de fixer les longueurs verticales jusqu'à ce que la gaine flexible s'appuie sur la tablette à fumée, puis fixez une longueur supplémentaire. Assurez-vous de placer un rivet en acier inoxydable dans chacun des trous pré perforés. Retirez le câble ou la chaîne.
 5. En vous plaçant en bas, tirez la gaine flexible à travers la gorge du foyer. Tirez-la suffisamment (Fig.4) pour être en mesure de la raccorder à l'appareil.
 6. Si la gaine sert à refaire le conduit d'un foyer de maçonnerie et qu'aucun poêle encastrable n'est installé, alors la gaine flexible doit être fixée au support de base (LSB). Cette plaque se fixe à la gorge du foyer à l'aide d'ancrages de maçonnerie et un collet vient solidement maintenir la gaine en place.
- Si la gaine est prévue pour se brancher à un encastrable ou autre type d'appareil, référez-vous à la prochaine section "Utilisation des raccords pour EXCEL Gaine Flexible".
- Pour compléter l'installation de la partie extérieure au sommet de la cheminée, référez-vous la section "Installation du support supérieur" à la page 13.

1. Mesurez la distance entre le sommet de la cheminée et l'endroit où se trouve la tablette à fumée, immédiatement au-dessus du registre.
- Dans la plupart des cas, la meilleure façon d'installer la gaine à travers la zone du registre est d'utiliser une gaine flexible.



La couverture isolante n'est pas requise lorsque la gaine flexible est raccordée au poêle encastrable pour traverser la gorge du foyer. EXCEL Gaine Rigide est homologuée pour être combinée à l'EXCEL Gaine Flexible ou toutes les marques de gaines flexibles respectant les normes UL et ULC.

l'installation d'un système complet, notamment lorsqu'il faut traverser un foyer de maçonnerie (Fig.4).

Il est préférable d'utiliser une combinaison de gaines EXCEL Gaine Rigide et de EXCEL Gaine Flexible (ou autre gaine flexible homologuée) pour fonction d'un foyer de maçonnerie dont le registre a été retiré.

Il est très difficile, et dans certains cas impossible, d'installer une gaine de cheminée à travers la zone occupée par le registre d'un foyer de maçonnerie à moins, bien sûr, de l'enlever. Ces directives ont donc été rédigées en

Installation d'EXCEL Gaine Rigide à travers un foyer de maçonnerie en association avec une gaine flexible

6. Si la gaine est utilisée pour refaire le conduit d'un foyer de maçonnerie et qu'aucun poêle encastrable n'est installé, le coude de retour doit alors être rattaché au support de base de foyer (LSB). Cette plaque est fixée à la gorge du foyer à l'aide d'ancrages de maçonnerie et un collet vient solidement maintenir la gaine en place.

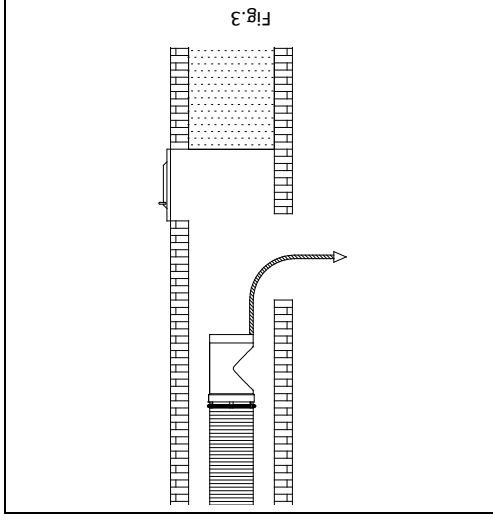
1. Mesurez la distance entre le sommet de la cheminée de maçonnerie et l'emplacement de la tablette à fumée immédiatement au-dessus du registre.
2. Mesurez la distance entre la tablette à fumée et l'endroit où se logera l'extrémité de la gaine à l'intérieur de l'orifice du foyer.
3. Disposez devant vous les coudes et les longueurs de gaine et vérifiez que tout le matériel requis s'y trouve. Habituellement, la déviation nécessaire pour traverser l'emplacement du registre requiert une paire de coudes à 45° (LE45) ou un coude ajustable de 90° (LEA90).
4. Si le dégagement autour de la gaine le permet, fixez un coude à la première longueur de gaine, l'extrémité mâle pointant vers le bas. La manière la plus facile d'introduire la gaine à l'intérieur de la cheminée est d'attacher un crochet à un câble (ou une chaîne légère), puis de l'accrocher à la partie inférieure du coude en faisant courir le câble à l'extérieur de la gaine. Continuez de fixer les longueurs verticales jusqu'à ce que le coude soit à environ 1 pouce au-dessus de la tablette à fumée. Assurez-vous de placer un rivet en acier inoxydable dans chacun des trous pré perforés. Retirez le câble ou la chaîne.
5. En vous plaçant en bas, fixez la longueur de gaine en angle au coude en utilisant les trois rivets en acier inoxydable fournis. Joignez le coude de retour à la courte longueur verticale.

du registre du foyer

Installation d'EXCEL Gaine Rigide à travers l'emplacement

7. Avant de finaliser les étapes 8 et 9 de l'installation à l'intérieur, il est suggéré, à ce stade-ci, de compléter l'installation du support supérieur (LSA pour rigide, FSA pour flexible) (page 13).
 8. Sceller l'ouverture entre l'extérieur de la gaine et la maçonnerie avec du mortier.
 9. Pour les installations aux États-Unis avec gaine flexible non isolée uniquement, installez le fourreau pour cheminée de maçonnerie (MS) et sceller entre le fourreau et la cheminée de maçonnerie.
 9. Fixez l'anneau de finition au mur de maçonnerie.
- Alignez la longueur horizontale du té avec l'ouverture du té et fixez-la à l'aide des vis en acier inoxydable fournies.
- gaine requise à la branche horizontale du té avant de l'installer sur la longueur verticale du té. Le té à section télescopique (LTA pour rigide, FTA pour flexible) facilite la tâche.

6. Mesurez la distance horizontale entre l'embouchure du té et l'endroit où la gaine se termine dans la pièce. À l'aide des rivets, fixez la longueur de
- Etapas de l'installation à l'intérieur de la maison :



- La manière la plus facile d'abaisser la gaine à l'intérieur de la cheminée est d'attacher un crochet à un câble (ou une chaîne légère), puis de l'accrocher à l'embouchure du té en faisant courir le câble à l'extérieur de la gaine (voir Fig.3). Pour la gaine rigide continuez de fixer les longneurs verticales jusqu'à ce que le té soit vis-à-vis l'ouverture pratiquée à l'étape 2. Il est plus facile d'être 2 personnes pour cette opération.
5. Joignez la première longueur verticale à la partie verticale du té et fixez ces éléments en serrant le coller de serrage. Aucun rivet n'est requis.
- EXCEL Gaine Flexible** : Joignez une des extrémités de la gaine à la partie verticale du té et fixez ces éléments à l'aide des trois rivets en acier inoxydable fournis. L'extrémité mâle de chaque longueur de gaine doit toujours pointer vers le bas. Assurez-vous de placer un rivet en acier inoxydable dans chacun des trous pré-perforés.
4. **EXCEL Gaine Rigide**: Joignez la première longueur verticale à la partie gaine et vérifiez que tout le matériel requis s'y trouve.
3. Mesurez la hauteur entre l'ouverture pratiquée dans la maçonnerie et le sommet de la cheminée. Disposez devant vous les longneurs de la autre ouverture sous la première. Un té de nettoyage vous permettra de nettoyer votre gaine verticale sans retirer le tuyau de raccordement.
2. Pratiquez une ouverture dans la maçonnerie à la hauteur déterminée ci-dessus. Si vous souhaitez installer un té de nettoyage, effectuez une autre ouverture sous la première. Un té de nettoyage vous permettra de

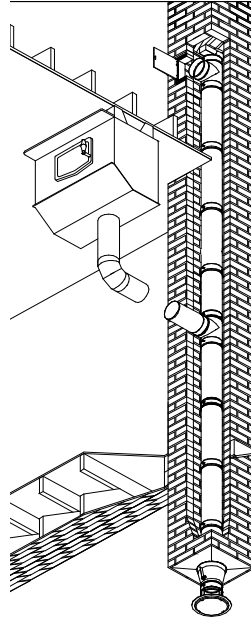


Fig. 1

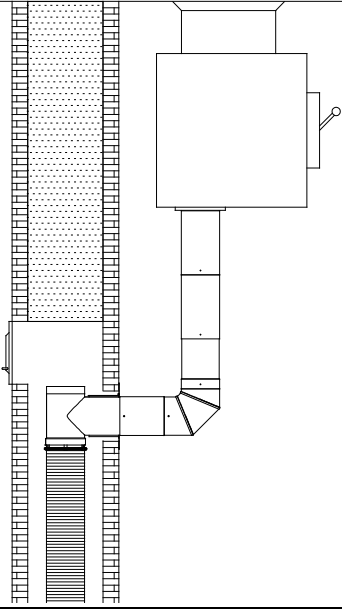


Fig. 2

1. Déterminez l'emplacement de l'ouverture qu'empruntera la gaine pour traverser la paroi de la cheminée de maçonnerie (Fig. 1 et Fig. 2). D'une manière générale, il est préférable d'installer le té le plus haut possible afin d'améliorer le tirage et de réduire les coûts en gaines. Souvenez-vous qu'un tuyau de raccordement à paroi simple doit se trouver à au moins 18" d'un matériau combustible, incluant le plafond. Si vous devez traverser un mur combustible pour raccorder la gaine à l'appareil de chauffage, vous devriez utiliser un adaptateur isolé (ITH). Vous retrouverez les directives d'installation relatives à l'adaptateur isolé à même la boîte de l'article.




maçonnerie

Installation verticale à l'intérieur d'une cheminée de

NOTICE D'INSTALLATION

Étant concernés par la sécurité et la performance, produits soient installés et suivis par WETT (Wood Energy Technology Transfer) au Canada, et l'APC (Association des Professionnels du Chauffage) pour le Québec.



ICC Industrial Chimney Company Inc., St-Jérôme, Québec, Canada ICC Compagnie de cheminées Industrielles Inc., St-Jérôme, Québec, Canada Made in Canada / Fabriqué au Canada 933261	
POUR ÊTRE INSTALLÉ ET UTILISÉ SEULEMENT AVEC LA GAINNE MODÈLE EXCELLineR ou EXCELFlex D.I.C.C. LA GAINNE DOIT ÊTRE INSTALLÉE SELON LES INSTRUCTIONS D'INSTALLATION D.I.C.C. FOR USE ONLY WITH ICC MODEL EXCELLineR OR EXCELFlex LINING SYSTEM. LINING SYSTEM MUST BE INSTALLED AND USED IN ACCORDANCE WITH ICC INSTALLATION INSTRUCTIONS.	
CONFORME TO / CONFORME À UL STD 1777 CERTIFIÉ TO / CERTIFIÉ À UL STD S635,S640 CLASS / CLASSE: 3 MODEL / MODÈLE: EXCELLineR & EXCELFlex	
LINING SYSTEM RECOGNIZED COMPONENT FOR NEW OR EXISTING MASONRY OR FACTORY-BUILT CHIMNEYS AND VENTS COMPOSANTE RECONNUE DE GAINNE POUR CHEMINÉES NEUVES OU EXISTANTES DE MAÇONNERIE OU PRÉFABRIQUÉES ET ÉVÉNEMENTS	
 Intertek 4005717	
ICC Industrial Chimney Company Inc., St-Jérôme, Québec, Canada ICC Compagnie de cheminées Industrielles Inc., St-Jérôme, Québec, Canada Made in Canada / Fabriqué au Canada 933260	
WARNING: INSTALL INSIDE NEW OR EXISTING MASONRY CHIMNEY OR IN CHIMNEYS APPROVED BY AUTHORITY HAVING JURISDICTION. FOR GAS, OIL AND SOLID FUEL BURNING APPLIANCES NORMALLY PRODUCING FLEW GASES OF 650°C OR LESS. INSTALL IN ACCORDANCE WITH ICC INSTALLATION INSTRUCTIONS. NO CLEARANCE REQUIRED BETWEEN THE LINER AND SURROUNDING MASONRY OR CONCRETE CHIMNEY. SEE ICC INSTRUCTIONS FOR THE MINIMUM CLEARANCES BETWEEN SURROUNDING MASONRY OR CONCRETE CHIMNEY AND COMBUSTIBLE MATERIALS. AVERTISSEMENT: POUR INSTALLATION À L'INTÉRIEUR DE CHEMINÉES NEUVES OU EXISTANTES OU À L'INTÉRIEUR DE CHEMINÉES PRÉFABRIQUÉES ACCEPTÉES PAR LES AUTORITÉS COMPÉTENTES, POUR RACCORDEMENT À DES APPAREILS AUX GAZ, À L'HUILE ET AU BOIS, PRODUISANT DES TEMPÉRATURES D'ÉVACUATION DE 650°C OU MOINS, LA GAINNE DOIT ÊTRE INSTALLÉE SELON LES INSTRUCTIONS D'INSTALLATION D'I.C.C. AUCUN DÉGAGEMENT REQUIS ENTRE LA GAINNE ET LA MAÇONNERIE. VOIR LE LIVRET D'INSTALLATION POUR LES DÉGAGEMENTS MINIMAUX ENTRE LA MAÇONNERIE ET LES MATÉRIAUX COMBUSTIBLES.	
USA	CANADA
INSTALL AND USE ONLY IN ACCORDANCE WITH ICC INSTALLATION INSTRUCTIONS. MINIMUM CLEARANCE OF 1 INCH AIR SPACE BETWEEN COMBUSTIBLE MATERIALS AND CHIMNEY EXTERIOR. THIS CLEARANCE CAN BE REDUCED TO 0 INCH AIR SPACE IF THE LINER IS INSULATED (SEE ICC INSTALLATION INSTRUCTIONS FOR DETAIL). FOR USE ONLY WITH APPLIANCES WHICH BURN SOLID, OIL OR CATEGORY I NATURAL GAS OR PROPANE.	
LINING SYSTEM FOR NEW OR EXISTING MASONRY OR FACTORY-BUILT CHIMNEYS AND VENTS GAINNE POUR CHEMINÉES NEUVES OU EXISTANTES DE MAÇONNERIE OU PRÉFABRIQUÉES ET ÉVÉNEMENTS	
 Intertek 4005717	
CONFORME TO / CONFORME À UL STD 1777 CERTIFIÉ TO / CERTIFIÉ À UL STD S635,S640 CLASS / CLASSE: 3 MODEL / MODÈLE: EXCELLineR & EXCELFlex	
UP 	

EXCEL Gainne Rigide (EXCELLineR) et EXCEL Gainne Flexible (EXCELFlex). Les étiquettes d'homologation suivantes sont apposées sur les produits d'une nouvelle cheminée de maçonnerie.

gaine EXCEL peut aussi remplacer le boisseau en céramique à l'intérieur de la cheminée existante, avec ou sans boisseau en céramique. La gaine EXCEL est homologuée pour une installation à l'intérieur d'une réglementation du bâtiment en vigueur dans votre région.

Vous devez vous assurer que la gaine est installée conformément à la partie d'installation en ce qui concerne les dégagements requis à partir de la gaine. Les exigences d'installation varient en fonction de la norme à respecter,

- La norme UL 1777 relative à son installation aux États-Unis.
- de nouvelles cheminées de maçonnerie au Canada;
- La norme UL C S640 relative à son utilisation comme boisseau à l'intérieur de maçonnerie existantes au Canada;
- La norme UL C S635 relative à son installation à l'intérieur de cheminées

EXCEL Gainne Rigide et Flexible sont homologuées selon:

HOMOLOGATION ET DÉGAGEMENTS REQUIS

** Ce dégagement peut être réduit à 1/2" au Canada pour une cheminée de maçonnerie extérieure. La cheminée doit avoir au moins une de ses faces exposées à l'extérieur ou être en majorité localisée dans un endroit non chauffé.

* Consultez le chapitre sur l'installation de la couverture isolante.

CANADA		USA	
GAINÉ FLEXIBLE	U LC S635 (cheminée existante)	U LC S640 (nouvelle cheminée)	UL 1777
	Gaine Flexible de tous les diamètres sans couverture isolante		
	Gaine Flexible 7" et 8" dia. munie de 1/2" (minimum) de couverture isolante*		
	Gaine 4", 5", 5 1/2" et 6" dia. munie de 1/2" de couverture isolante*		
Peut être adaptée à cheminée de maçonnerie dont la structure est adéquate.	Non-homologué		
	0" de la gaine à la maçonnerie.		
	2" ** de l'extérieur de la cheminée au matériau combustible.		
	0" de l'extérieur de la cheminée au matériau combustible.		
Gaine Flexible de tous les diamètres sans couverture isolante			
Gaine Flexible 1" de l'extérieur de la cheminée au matériau combustible.			
0" de la gaine à la maçonnerie			
1" de l'extérieur de la cheminée au matériau combustible.			
0" de l'extérieur de la cheminée au matériau combustible.			

GAINÉ FLEXIBLE 4" À 8" DE DIAMÈTRE - DÉGAGEMENTS REQUIS

CANADA		USA	
GAINÉ RIGIDE	U LC S635 (cheminée existante)	U LC S640 (nouvelle cheminée)	UL 1777
	Gaine Rigide de tous les diamètres sans couverture isolante		
	Gaine Rigide de tous les diamètres (minimum) de 1/4" munie de 1/4" de couverture isolante*		
	Gaine Rigide 5", 5 1/2" et 6" dia. munie de 1/2" de couverture isolante*		
Peut être adaptée à cheminée de maçonnerie dont la structure est adéquate.	0" de la gaine à la maçonnerie.		
	2" ** de l'extérieur de la cheminée au matériau combustible.		
	1/2" de l'extérieur de la cheminée au matériau combustible.		
	0" de la gaine à la maçonnerie		
Gaine Rigide de tous les diamètres sans couverture isolante			
Gaine Rigide 1" de l'extérieur de la cheminée au matériau combustible.			
0" de la gaine à la maçonnerie			
0" de l'extérieur de la cheminée au matériau combustible.			
0" de l'extérieur de la cheminée au matériau combustible.			

GAINÉ RIGIDE 5" À 8" DE DIAMÈTRE - DÉGAGEMENTS REQUIS

Modèle de gaine de cheminée	<input type="checkbox"/> EXCEL Rigide <input type="checkbox"/> EXCEL Flexible
Date de l'installation	
Nom du détaillant	
Adresse du détaillant	
Nom de l'installateur	
Adresse de l'installateur	

Lorsque l'installation sera terminée, prenez le temps de compléter les informations ici-bas pour consultation future.

RÉFÉRENCES D'INSTALLATION

Réparez tous les dommages à la structure avant d'entreprendre l'installation de la gaine.

Conduit ou tout autre problème structural. manquant, les dégagements insuffisants, les obstructions à l'intérieur de la cheminée en surveillant les fentes, le mortier érodé ou fendu, les briques manquantes, les dégagements insuffisants, les obstructions à l'intérieur de la cheminée existante soit solide. Avant d'installer la nouvelle gaine, inspectez cette notice a été rédigée en tenant pour acquis que la structure de la

Intégrité de la structure de la cheminée existante

Le travail de la maçonnerie peut générer un volume important de poussière, de créosote et de suie, ainsi que la projection d'éclats aux arêtes vives. En conséquence, portez toujours des gants, un masque filtrant et des lunettes de protection.

Inspectez toujours soigneusement le site de l'installation avant de commencer. Surveillez particulièrement les éléments comme les lignes d'énergie électrique, les antennes et les pièces de maçonnerie mal fixées.

Assurez-vous que toutes les échelles sont solidement attachées au bâtiment et reposent fermement sur le sol. Plusieurs situations nécessiteront le montage d'un échafaudage approprié pour garantir la sécurité de l'installateur. Comme il est dangereux de travailler sur un toit, nous recommandons le port d'une ceinture de sécurité répondant aux normes.

L'installation d'une gaine de cheminée peut comporter des risques sérieux. Nous recommandons fortement que ce travail soit effectué par un installateur professionnel qualifié.

SÉCURITÉ DE L'INSTALLATION

GÉNÉRALITÉS

6. N'utilisez pas le poêle avant l'inspection de la cheminée et du tuyau de raccordement par un ramoneur qualifié ou un inspecteur du service des incendies.

1. La cheminée doit se prolonger d'au moins 3 pieds au-dessus de son point d'intersection le plus élevé avec le toit, et d'au moins 2 pieds au-dessus de tout mur, toit, ou bâtiment adjacent situé dans un rayon de 10 pieds.

2. Ne ventilez pas un appareil de chauffage au gaz ou au mazout dans le même conduit qu'un appareil alimenté par un combustible solide, par exemple un poêle à bois. En outre, ne ventilez pas plus d'un appareil de chauffage au combustible solide dans le même conduit.

3. Avant d'installer la gaine à l'intérieur de la cheminée de maçonnerie, cette dernière doit être nettoyée et inspectée avec le plus grand soin. Vérifiez la solidité de la structure de la cheminée. Portez une attention spéciale aux briques, au mortier ou à tout autre matériau fendu, manquant ou instable qui pourrait gêner l'installation appropriée de la gaine.

4. Vérifiez minutieusement si le dégagement entre la paroi extérieure de la cheminée et les matériaux combustibles respecte les valeurs précisées au tableau de la page 5.

5. Vous devez installer un chapeau à l'extrémité supérieure de la gaine. Si, selon les autorités de votre région, un pare-étincelles est requis, nous offrons un pare-étincelles optionnel. Dans certaines régions froides, le pare-étincelles peut s'obstruer par l'humidité qui gèle. Faites inspecter régulièrement le chapeau et le pare-étincelles.

6. Les longueurs de gaine rigide doivent être assemblées à l'aide des rivets en acier inoxydable fournis.

7. Pour la gaine rigide, faites le choix des longueurs pour ne pas la prolongez de plus de 6 pouces au-dessus du collet du support supérieur. Pour la gaine flexible, ajuster et coupez pour laisser environ 2 pouces au-dessus du collet du support supérieur, juste assez pour fixer le chapeau. L'utilisation d'une gaine à paroi simple au-dessus de la cheminée causera une accumulation rapide de créosote. Si vous devez prolonger la cheminée de maçonnerie existante, employez la cheminée isolée EXCEL de ICC.

- Si un feu de cheminée se produit, suivez les consignes suivantes :**
1. Fermez toutes les portes et les contrôles d'air comburant de l'appareil. Dans le cas des foyers, bloquez-en l'ouverture à l'aide d'un matériau incombustible (une feuille en acier, par exemple).
 2. Avertissez votre famille d'un danger possible.
 3. Si vous avez besoin d'aide, appelez le service des incendies.
 4. Dans la mesure du possible, utilisez un extincteur à poudre, du bicarbonate de soude ou du sable pour maîtriser le feu. N'utilisez pas d'eau car cela pourrait provoquer une explosion de vapeur dangereuse.
 5. Surveillez la propagation des flammes sur les matériaux combustibles qui se trouvent à proximité du poêle, du tuyau de raccordement ou de la cheminée. Inspectez également l'extérieur pour vous assurer que les étincelles et les tisons qui sortent de la cheminée n'allument pas le toit.

FEUX DE CHEMINÉE

4. Ne vous fiez pas aux produits d'entretien chimiques pour garder votre cheminée propre. Leur utilisation n'élimine pas pour autant l'inspection et le nettoyage périodiques de votre cheminée.
 3. Faites nettoyer votre cheminée par un ramoneur qualifié. Si vous voulez le faire vous-même, utilisez une brosse en nylon ou en acier dont la taille est proportionnelle à votre conduit. N'utilisez pas une brosse qui égratignera l'intérieur de votre gaine en acier inoxydable.
 2. La cheminée devrait être inspectée au moins une fois par deux mois durant la saison de chauffage, afin de déterminer si la créosote ou la suie s'est accumulée. Dès que l'épaisseur de créosote ou de suie atteint un maximum de 1/4", il faut procéder à un nettoyage afin de réduire le risque d'un feu de cheminée.
 1. Inspectez initialement le système d'évacuation une fois par semaine. Par la suite, vous serez en mesure d'ajuster la fréquence de nettoyage de votre cheminée.
- Respectez les recommandations suivantes lorsque vous utilisez un poêle à bois :

Les poêles à bois peuvent provoquer l'accumulation rapide de dépôts de créosote dans la cheminée. Certains de ces poêles peuvent, en deux semaines, créer suffisamment de créosote pour causer un feu de cheminée.

ENTRETIEN - GARDEZ VOTRE CHEMINÉE PROPRE

EXCEL Gaine Rigide et Flexible

NOTICE D'INSTALLATION

Ces 2 types de gaine de cheminée ont été conçus pour être utilisées avec des appareils alimentés par un combustible solide, liquide ou gazeux, y compris les poêles à bois, les foyers et les appareils de chauffage.

Les dimensions de la gaine utilisée doivent être conformes aux recommandations du fabricant de l'appareil.

Utilisez exclusivement des composants EXCEL Rigide et Flexible. À défaut de se conformer à cette exigence, la garantie et l'homologation de ce produit sont annulées.

Communiquez avec le service du bâtiment ou des incendies de votre région pour connaître les restrictions et les exigences d'inspection et d'installation de votre municipalité.

Conservez cette notice d'installation et d'entretien dans un endroit sûr pour consultation future. Prenez le temps de remplir les détails de l'installation à la section "Références d'installation", à la page 4 de ce manuel.

GARDEZ VOTRE GAINÉ DE CHEMINÉE PROPRE. Votre cheminée devrait être inspectée au moins une fois tous les deux mois pendant la saison de chauffage.

EXCEL Gaine Rigide et Flexible a été testée et homologuée par INTERTEK selon les normes ULC S-635, ULC S-640 et UL 1777.



Intertek



ICC
COMPAGNIE DE CHEMINÉES INDUSTRIELLES INC.

400 J.F. Kennedy, Saint-Jérôme
(Québec) Canada, J7Y 4B7

Tél. : 450 565-6336
Téléco. : 450 565-6519

<http://www.icc-rfst.com>