

# VIC

## CONDENSING VENT




3" TO 24"

SINGLE WALL – DOUBLE WALL – INSULATED



# GENERAL INFORMATION

An aerial photograph of a large industrial facility with a grey roof and blue accents. The building is surrounded by greenery and a large parking lot filled with cars. The sky is clear and blue.

Industrial Chimney Company was established in 1991 by a small group of partners with over 75 years combined experience in the chimney industry. Our initial focus was on developing the best performing, easiest to install commercial/industrial chimney on the market. Our Model VIC satisfied both criteria so well that over the last twenty plus years we have supplied thousands of systems to vent all manner of equipment from diesel stationary engines to high efficiency boilers. Meanwhile our business has grown to become the largest chimney manufacturer in Canada with over 110,000 ft<sup>2</sup> and 200 employees, most with over 10 years of experience. Our factory runs 24 hours a day, twelve months a year. It is situated on over 20 acres of prime industrial property and is filled with the most sophisticated, state of the art machinery available. Our focus on the specialty hearth retailers has cemented our reputation as a leader in innovation both in the manner we build product and by the relationships we establish with our customers

From the beginning our objective has been to engineer the best products possible. Our research and development laboratory is fully accredited by UL/ULC and Warnock Hersey. We employ many of the most talented engineers, technicians and designers in the industry. Our R&D efforts result in products that enable better, faster installations while generally requiring fewer parts. Our goal is to do everything possible to help our business partner's supply and install only the best chimney for the end user.

We believe that our long-term accomplishments are tied to our commitment to people both inside and outside our company. While we continuously

invest in machinery and processes the most gratifying returns come from investment in people. Our greatest sense of accomplishment comes when we see an employee or customer achieve their personal or business goals. We continuously make major commitments in the promotion and funding of industry education.

We focus our efforts in four areas. We manufacture a full line of residential venting for a wide variety of applications including wood, pellet, gas and oil fired appliances. We manufacture a full line of built in wood burning, high-efficiency, clean burning fireplaces. We also build a line of clean-burning decorative fireplaces. Finally we manufacture a complete line of commercial and industrial venting for applications ranging from condensing vent, positive pressure stack, engine exhaust, natural draft chimney, and grease duct. Since the beginning, our residential, commercial, and industrial venting products have enabled us to secure a leadership role in each segment of the industry.

Thanks to the strong support of our agents, representatives, distributors, and retailers our strategy is working. We have grown dramatically over the last years.

The catalogue contains information on our condensing vent model VIC. We have done our best to ensure it is complete and up to date. If you have any questions or concerns regarding this or any other of our products please feel free to contact us directly. We will be pleased to assist you.

The ICC team

# TABLE OF CONTENTS

Condensing Vent . . . . .	2
General Assembly And Parts Requirements . . . . .	4
Lengths . . . . .	6
Rise And Offset Calculator . . . . .	10
Elbows . . . . .	12
Boot Tees. . . . .	17
Tees . . . . .	18
Tee Caps . . . . .	19
Terminations . . . . .	20
Taper Increases & Reducers . . . . .	22
Storm Collars . . . . .	23
Supports . . . . .	24
Fire Stops – Radiation Shields . . . . .	25
Locking Bands . . . . .	27
Flashings. . . . .	28
Adapters . . . . .	29
VIC Quotation Request . . . . .	30
Condensing Vent Warranty . . . . .	31

**REFER TO OUR WEB SITE FOR INSTALLATION INSTRUCTIONS,  
SUBMITTAL SHEET, AND OFFSET CALCULATOR AT:**

**<http://icc-industrial.com/en/documentation>**

# CONDENSING VENT

## APPLICATIONS:

ICC Model VIC is a tested single wall, double wall, or insulated double wall vent system for condensing or near condensing appliances. Tested and listed to : UL 1738 / ULC S636 (see label on page 31). ICC Condensing Vent can be used in the following applications:

- Category I, II, III and IV gas fired appliances producing a maximum flue gas temperature of 550°F.
- BH gas vent for appliances producing a maximum flue gas temperature of 550°F.
- Appliances that produce condensation in the exhaust stream.

## CONSTRUCTION:


VIC's inner liner is constructed of either super ferritic type AL29-4C stainless steel or out of type 444 stainless steel. Both alloys meet the requirements of the UL corrosion resistance test. When a double wall system is specified, the outer casing will be made of a type 430 stainless steel.

The system is available in the following configurations:

- Single wall – for breeching and connecting multiple appliances together. It is lightweight and easy to install. It is recommended that single wall VIC be installed inside the building or where ambient temperatures remain above freezing.
- Double wall – improves heat retention in the flue. This increases draft strength and can reduce clearance to combustibles in some cases. Double wall also has a lower impact on the surrounding environment's temperature (e.g. mechanical room). It is approved for interior and exterior installations.
- Double wall insulated – the best choice for exterior installations in cold weather climates. The insulated casing minimizes heat loss and promotes increased draft.

The inner liner of 3"-16" diameter VIC is either Tungsten Arc Welded or Laser welded. Diameters 18"-24" are Tungsten Arc Welded. Both Laser and Tungsten Arc welds are butt welds. Butt welding minimizes the impact on the steel, resulting in a smooth and corrosion resistant seam.





VIC incorporates a silicone gasket which creates a seal that is both gas and water tight. The silicone seal drastically reduces installation time by eliminating the need for sealant to be applied in the field.

VIC locking bands hold the sections together without the need of additional screws. The captive nut / bolt system is exceptionally strong and results in a straight, secure run of pipe.

The locking band for single wall VIC in diameters of 3,4, and 5 inches is a worm gear clamp which is welded to the male end of the fitting.

## INNOVATION:

ICC is a market leader in venting manufacturing. We apply leading-edge technology and engineering to find innovative solutions for everyday problems. Our innovative components are conceived with the goal of faster, easier assembly, which is the best way to reduce labor cost and installation errors. All ICC products are built to meet modern needs in the harshest environments.

## ENGINEERING:

Upon request, our engineers will analyze schematic drawings and appliance data to determine the correct size and parts for any venting system. We will also provide detailed drawings and a parts list to facilitate installation.

## INSTALLATION:

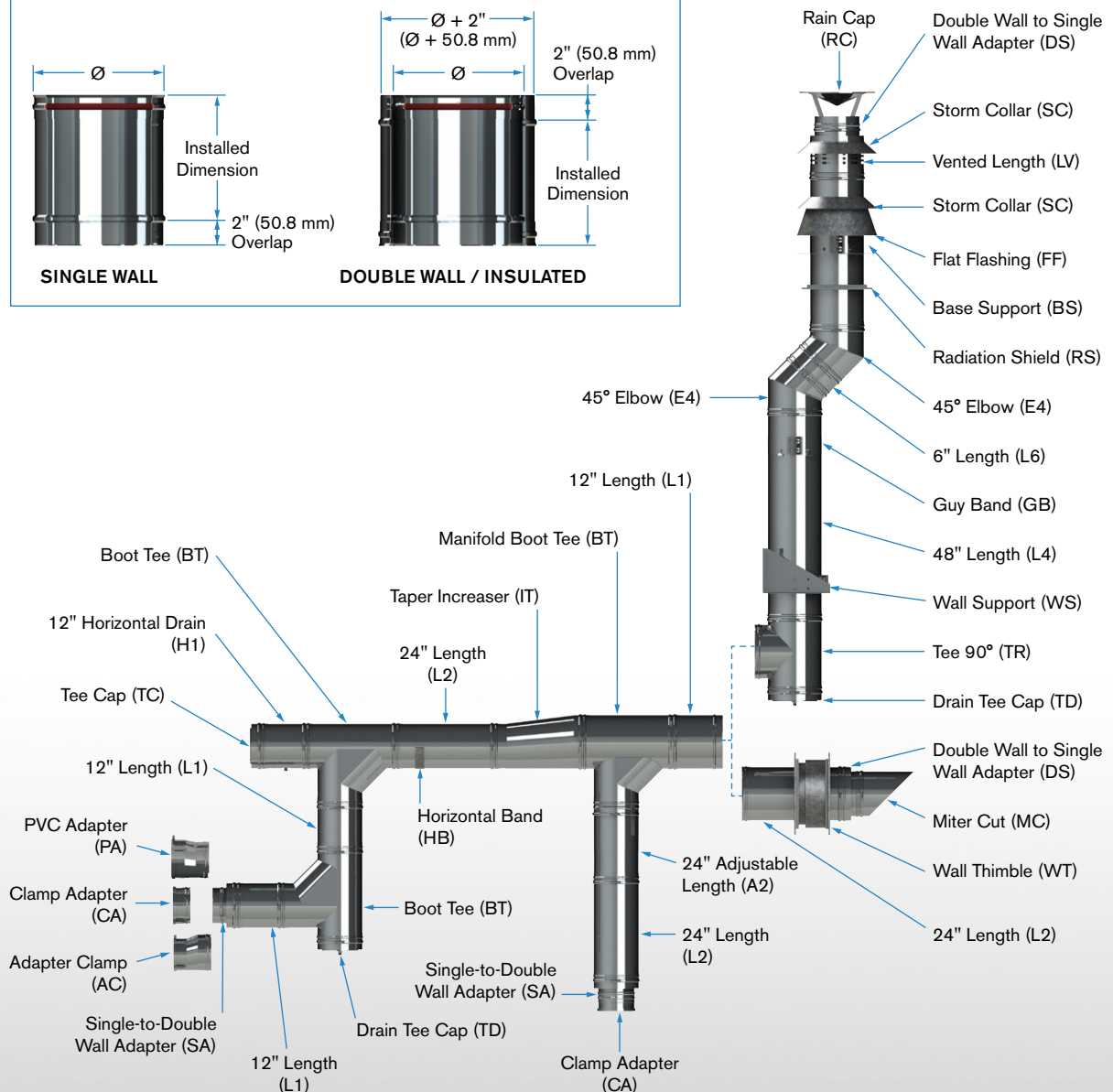
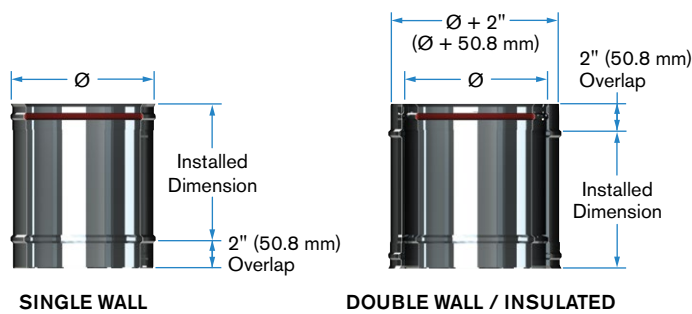
VIC fits right the first time thanks to tight tolerances and precision manufacturing. Our factory installed silicone gasket eliminates the requirement for sealant to be applied on site, and ensures a gas and water tight seal. Lengths are secured with heavy-duty locking bands that draw the lengths together. Our locking bands have a captive nut and bolt, reducing the likelihood of missing hardware. The result is fast, trouble free installations.

# GENERAL ASSEMBLY AND PARTS REQUIREMENTS

## DRAWING OF HORIZONTAL AND VERTICAL INSTALLATIONS.

### COMMON DIMENSIONS:

The following dimensions are common to single or double wall lengths, tees, elbows and increasers. The "Overlap" consists of the formed end of each component and is not factored in the installed length of the part.



**Note:** A pitch of at least 1/4" to the foot or 2° must be maintained on horizontal run to prevent the accumulation of corrosive condensate.

## PART IDENTIFICATION:

Model VIC uses an alphanumeric code to identify the components as follows:

### HC-08L1F26D281

The first two letters of the code identify the type of component by grouping.

**HC** – Lengths

**HE** – Tees, Elbows and Tee Caps

**HF** – Flashings and Storm Collar

**HM** – Anchor Plates, Supports, Increases, Shields, and Terminations

**HO** – Adapters

### HC-08 L1F26D281

The following two numbers identify the inside diameter of the vent in inches.

Available Diameters: 3, 4, 5, 6, 8, 10, 12, 14, 16, 18, 20, 22 and 24.

### HC-08L1 F26D281

The following two characters identify the component.

HC	L1	12" Length	HE	BT	Boot Tee	HM	RC	Rain Cap
HC	L2	24" Length	HE	BI	Boot Tee Inverse	HM	MC	Miter Cut Length
HC	L3	36" Length	HE	TR	Tee 90°	HM	SR	Screened Closure Ring
HC	L4	48" Length	HE	TB	Tee 90° Removable Branch	HM	SF	Screen Closure Ring Female
HC	L6	6" Length	HE	TI	Tee 90° Inverse	HM	EC	Exit Cone
HC	A1	Adjustable Length 1'	HE	TC	Tee Cap	HM	FS	Firestop
HC	A2	Adjustable Length 2'	HE	TD	Tee Cap, Drain	HM	RS	Radiation Shield
HC	H1	Horizontal Drain Section	HF	FF	Flat flashing	HM	R2	Radiation Shield
HC	LT	Inline Test Port Section	HF	FA	Flashing 1/12-7/12	HM	R1	Roof Radiation Shield
HC	DT	Vertical Inline Test Port & Drain	HF	FB	Flashing 8/12-12/12	HM	WT	Wall Thimble
HC	LD	12" Length with Damper	HF	VF	Ventilated Flat Flashing	HM	IT	Taper Increaser
HC	VD	Vertical Drain Length	HF	VA	Ventilated Flashing 1/12-7/12	HM	RT	Taper Reducer
HC	LV	Double Wall Ventilated Section	HF	VB	Ventilated Flashing 8/12-12/12	HM	LA	Locking Band - Adjustable Length
HE	E0	ELBOW 2°	HM	SC	Storm Collar	HM	LB	Locking Band
HE	E1	Elbow 15°	HM	BS	Base Support	HM	SA	Single to Double Wall Adapter
HE	E3	Elbow 30°	HM	WS	Wall Support	HM	CR	Double Wall Closure Ring
HE	E4	Elbow 45°	HM	GB	Guy Band	HM	DS	Double to Single Wall Adapter
HE	E9	Elbow 90°	HM	HB	Horizontal Band			

### HC-06L1F26000S

The following characters identifies the inner flue.

SINGLE WALL				
Inner Flue		Outer Casing		Insulation
<b>AL29-4C</b>	Gauge	SS430	Gauge	Single
F	26	0	00	S
Example:	<b>HC-06L1F26000S</b>			
<b>SS444</b>	Gauge	SS430	Gauge	Single
E	26	0	00	S
Example:	<b>HC-10L2E26000S</b>			

### HE-06E4F26D280

The following characters identifies the inner flue, casing material and the insulation.

DOUBLE WALL - AIR OR INSULATED				
Inner Flue		Outer Casing		Insulation
<b>AL29-4C</b>	Gauge	SS430	Gauge	*
F	26	D	28	0
F	26	D	28	1
Example:	<b>HE-06E4F26D280</b>		* 0 = Air	* 1 = Insulated
<b>SS444</b>	Gauge	SS430	Gauge	*
E	26	D	28	0
E	26	D	28	1
Example:	<b>HE-10BTE26D281</b>		* 0 = Air	* 1 = Insulated

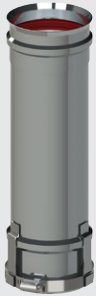
The following identifies gauge thickness

<b>AL29-4C</b>	26 Gauge (0.019)	3"Ø - 16"Ø
	24 Gauge (0.025)	18"Ø - 24"Ø
<b>SS444</b>	26 Gauge (0.019)	3"Ø - 24"Ø
	28 Gauge (0.016)	3"Ø - 14"Ø
<b>SS430</b>	24 Gauge (0.025)	16"Ø - 24"Ø

# LENGTHS

## LENGTH - L6 - L1 - L2 - L3 - L4

**Lengths:** Can be utilized vertically or horizontally. When lengths are installed horizontally, a slope of a 1/4" per foot or 2° must be maintained towards the appliance to prevent the accumulation of corrosive condensate. Each length has a factory installed silicone gasket and locking band.



SINGLE WALL 3"Ø TO 5"Ø



SINGLE WALL 6"Ø TO 24"Ø

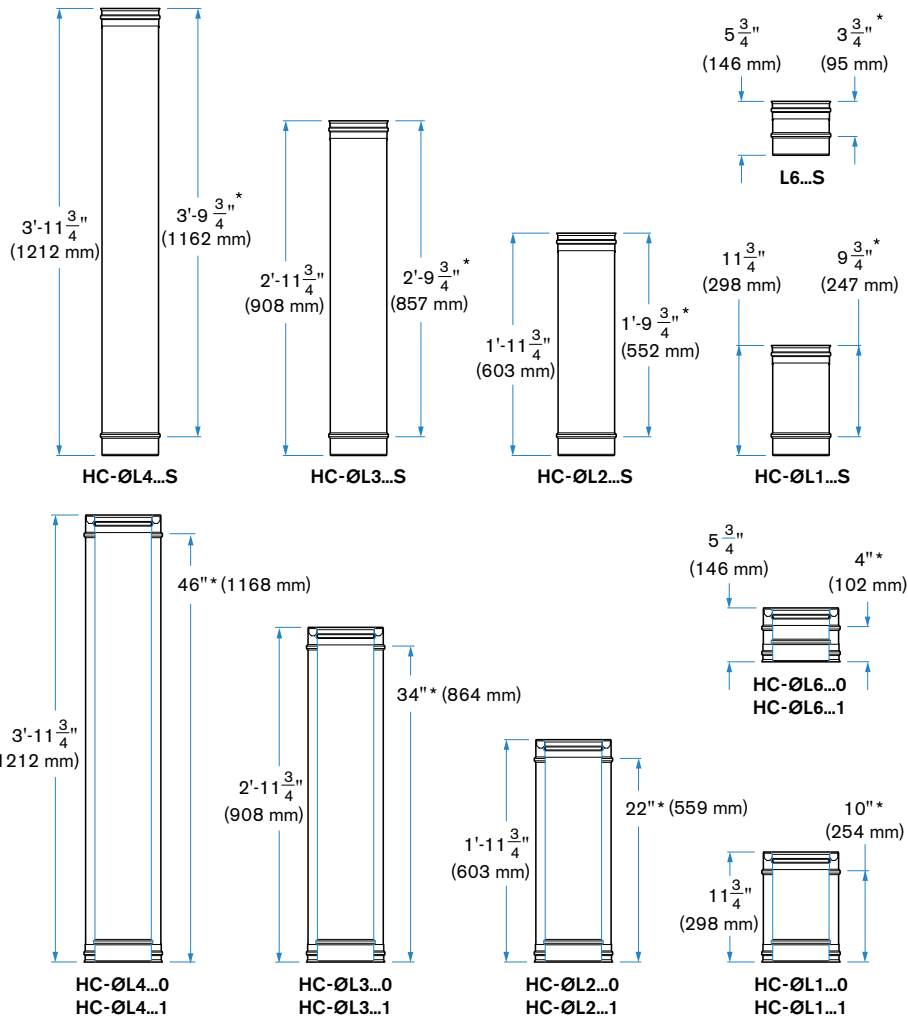


DOUBLE WALL 3"Ø TO 24"Ø



INSULATED WALL 3"Ø TO 24"Ø

		SINGLE WALL		DOUBLE WALL		INSULATED	
Flue Casing		AL29-4C	SS 444	AL29-4C	SS 444	AL29-4C	SS 444
Insulation		N/A	N/A	SS 430	SS 430	SS 430	SS 430
		N/A	N/A	N/A	N/A	1 Inch (25.4mm)	1 Inch (25.4mm)
LENGTH		PRODUCT CODE					
Inch	mm						
6	152	HC-ØL6...S	HC-ØL6...S	HC-ØL6...0	HC-ØL6...0	HC-ØL6...1	HC-ØL6...1
12	304	HC-ØL1...S	HC-ØL1...S	HC-ØL1...0	HC-ØL1...0	HC-ØL1...1	HC-ØL1...1
24	609	HC-ØL2...S	HC-ØL2...S	HC-ØL2...0	HC-ØL2...0	HC-ØL2...1	HC-ØL2...1
36	914	HC-ØL3...S	HC-ØL3...S	HC-ØL3...0	HC-ØL3...0	HC-ØL3...1	HC-ØL3...1
48	1219	N/A	HC-ØL4...S	N/A	HC-ØL4...0	N/A	HC-ØL4...1
EXAMPLE		HC-06L1F26000S	HC-06L1E26000S	HC-06L1F26D280	HC-06L1E26D280	HC-06L1F26D281	HC-06L1E26D281



**Notes:** 1. 4 foot lengths are only available with 444 SS.

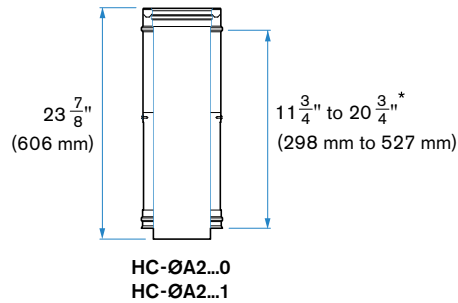
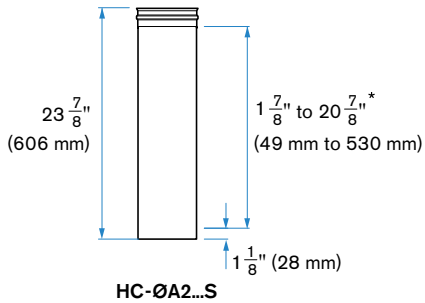
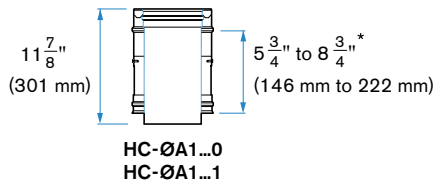
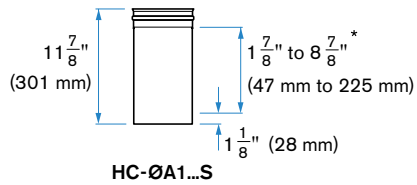
2. All available flue diameter sizes are in inches. Flue diameters: 3", 4", 5", 6", 7", 8", 9", 10", 12", 14", 16", 18", 20", 22" and 24"  
\* Installed measurement.



## ADJUSTABLE LENGTH - A1 - A2

**Adjustable Lengths:** Used when a non-standard length is required to achieve a specific offset. Single wall adjustable lengths have a greater range of adjustment than double wall / insulated. Adjustable lengths have a factory installed silicone gasket and specific locking band. Additional silicone must be field applied, refer to installation instructions.

		SINGLE WALL		DOUBLE WALL		INSULATED	
Flue Casing		AL29-4C	SS 444	AL29-4C	SS 444	AL29-4C	SS 444
Insulation		N/A	N/A	SS 430	SS 430	SS 430	SS 430
		N/A	N/A	N/A	N/A	1 Inch (25.4mm)	1 Inch (25.4mm)
LENGTH		PRODUCT CODE					
Inch	mm	HC-ØA1...S		HC-ØA1...0		HC-ØA1...1	
12	305	HC-ØA1...S	HC-ØA1...S	HC-ØA1...0	HC-ØA1...0	HC-ØA1...1	HC-ØA1...1
24	610	HC-ØA2...S	HC-ØA2...S	HC-ØA2...0	HC-ØA2...0	HC-ØA2...1	HC-ØA2...1
EXAMPLE		HC-06A1F26000S HC-06A2F26000S	HC-06A1E26000S HC-06A2E26000S	HC-06A1F26D280 HC-06A2F26D280	HC-06A1E26D280 HC-06A2E26D280	HC-06A1F26D281 HC-06A2F26D281	HC-06A1E26D281 HC-06A2E26D281



SINGLE WALL 3"Ø TO 5"Ø



SINGLE WALL 6"Ø TO 24"Ø



DOUBLE WALL 3"Ø TO 24"Ø



INSULATED WALL 3"Ø TO 24"Ø

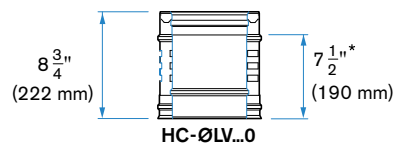


DOUBLE WALL 3"Ø TO 24"Ø

## VENTILATED LENGTH - LV

**Ventilated Length:** Required in double wall systems that terminate vertically above a combustible chase/roof assembly. The ventilated length is installed below the termination. Includes factory installed silicone gasket and locking band.

		DOUBLE WALL	
Flue Casing		AL29-4C	SS 444
Insulation		SS 430	SS 430
		N/A	N/A
LENGTH		PRODUCT CODE	
Inch	mm	HC-ØLV...0	
12	305	HC-ØLV...0	HC-ØLV...0
EXAMPLE		HC-06LVF26D280	HC-06LVE26D280



**Note:** All available flue diameter sizes are in inches. Flue diameters: 3", 4", 5", 6", 7", 8", 9", 10", 12", 14", 16", 18", 20", 22" and 24"  
\* Installed measurement.

# LENGTHS



SINGLE WALL 3"Ø TO 5Ø" | 6"Ø TO 24"Ø



DOUBLE WALL 3"Ø TO 24"Ø

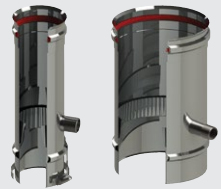
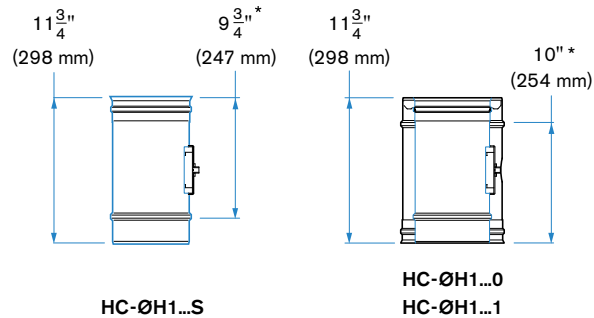


INSULATED 3"Ø TO 24"Ø

## HORIZONTAL DRAIN SECTION - H1

**Horizontal Drain Section:** Required to drain condensate away from the system when a horizontal run exceeds 30 feet or 9 meters. Includes a factory installed silicone gasket and locking band.

		SINGLE WALL		DOUBLE WALL		INSULATED	
Flue		AL29-4C	SS 444	AL29-4C	SS 444	AL29-4C	SS 444
Casing		N/A	N/A	SS 430	SS 430	SS 430	SS 430
Insulation		N/A	N/A	N/A	N/A	1 Inch (25.4mm)	1 Inch (25.4mm)
LENGTH		PRODUCT CODE					
Inch	mm	HC-ØH1...S		HC-ØH1...0		HC-ØH1...1	
12	305	HC-06H1F26000S	HC-06H1E26000S	HC-06H1F26D280	HC-06H1E26D280	HC-06H1F26D281	HC-06H1E26D281



SINGLE WALL 3"Ø TO 5Ø" | 6"Ø TO 24"Ø



DOUBLE WALL 3"Ø TO 24"Ø

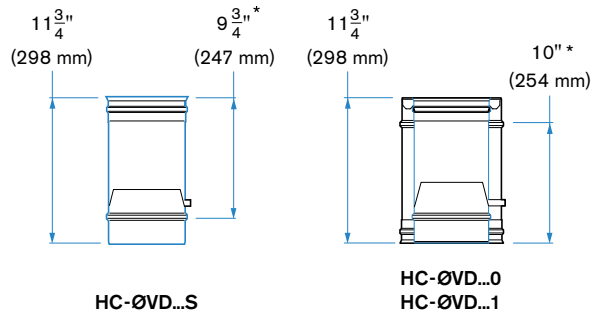


INSULATED 3"Ø TO 24"Ø

## VERTICAL DRAIN SECTION - VD

**Vertical Drain Section:** Permits drainage of condensate or rain water from an open vertical vent. Includes factory installed silicone gasket and locking band.

		SINGLE WALL		DOUBLE WALL		INSULATED	
Flue		AL29-4C	SS 444	AL29-4C	SS 444	AL29-4C	SS 444
Casing		N/A	N/A	SS 430	SS 430	SS 430	SS 430
Insulation		N/A	N/A	N/A	N/A	1 Inch (25.4mm)	1 Inch (25.4mm)
LENGTH		PRODUCT CODE					
Inch	mm	HC-ØVD...S		HC-ØVD...0		HC-ØVD...1	
12	305	HC-06VDF26000S	HC-06VDE26000S	HC-06VDF26D280	HC-06VDE26D280	HC-06VDF26D281	HC-06VDE26D281

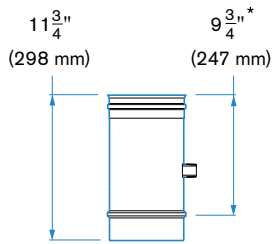


**Note:** All available flue diameter sizes are in inches. Flue diameters: 3", 4", 5", 6", 7", 8", 9", 10", 12", 14", 16", 18", 20", 22" and 24"  
\* Installed measurement.

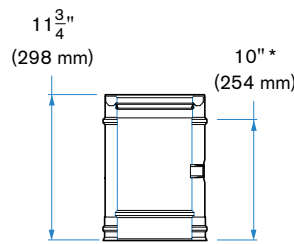
## INLINE TEST PORT SECTION - LT

**Inline Test Port Section:** Can be installed horizontally or vertically and is used in conjunction with a test probe with a 3/4" NPT female fitting. Includes factory installed silicone gasket and locking band.

		SINGLE WALL		DOUBLE WALL		INSULATED	
Flue		AL29-4C	SS 444	AL29-4C	SS 444	AL29-4C	SS 444
Casing		N/A	N/A	SS 430	SS 430	SS 430	SS 430
Insulation		N/A	N/A	N/A	N/A	1 Inch (25.4mm)	1 Inch (25.4mm)
LENGTH		PRODUCT CODE					
Inch	mm	HC-ØLT...S	HC-ØLT...S	HC-ØLT...0	HC-ØLT...0	HC-ØLT...1	HC-ØLT...1
12	305						
EXAMPLE		HC-06LTF26000S	HC-06LTE26000S	HC-06VLT26D280	HC-06LTE26D280	HC-06LTF26D281	HC-06LTE26D281



HC-ØLT...S



HC-ØLT...0  
HC-ØLT...1



SINGLE WALL 3"Ø TO 5"Ø



SINGLE WALL 6"Ø TO 24"Ø

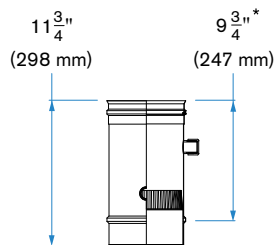


DOUBLE WALL 3"Ø TO 24"Ø

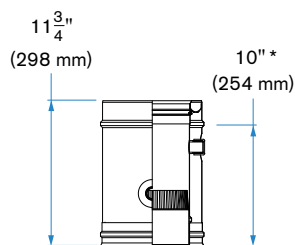
## INLINE TEST PORT SECTION WITH DRAIN - DT

**Inline Test Port Section with Drain:** Can be installed vertically and is used in conjunction with a test probe with a 3/4" NPT female fitting. Includes factory installed silicone gasket and locking band.

		SINGLE WALL		DOUBLE WALL		INSULATED	
Flue		AL29-4C	SS 444	AL29-4C	SS 444	AL29-4C	SS 444
Casing		N/A	N/A	SS 430	SS 430	SS 430	SS 430
Insulation		N/A	N/A	N/A	N/A	1 Inch (25.4mm)	1 Inch (25.4mm)
LENGTH		PRODUCT CODE					
Inch	mm	HC-ØDT...S	HC-ØDT...S	HC-ØDT...0	HC-ØDT...0	HC-ØDT...1	HC-ØDT...1
12	305						
EXAMPLE		HC-06DT26000S	HC-06DTE26000S	HC-06DTF26D280	HC-06DTE26D280	HC-06DTF26D281	HC-06DTE26D281



HC-ØDT...S



HC-ØDT...0  
HC-ØDT...1



SINGLE WALL 3"Ø TO 5"Ø



SINGLE WALL 6"Ø TO 24"Ø



DOUBLE WALL 3"Ø TO 24"Ø

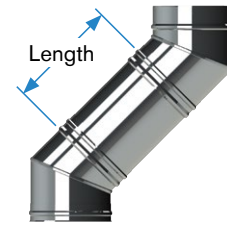
**Note:** All available flue diameter sizes are in inches. Flue diameters: 3", 4", 5", 6", 7", 8", 9", 10", 12", 14", 16", 18", 20", 22" and 24"  
\* Installed measurement.

# RISE AND OFFSET CALCULATOR

## OPTION 1: LENGTH OR RISE

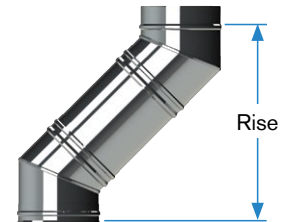
	LENGTH CALCULATOR: CALCULATES THE LENGTH BETWEEN ELBOWS.			
	LENGTH (L)	OFFSET	Ø (ID)	OFFSET Ø (15°, 30° OR 45°)
SINGLE WALL				
DOUBLE WALL				

$$L = \frac{\text{OFFSET}}{\sin \theta} - \theta \tan\left(\frac{\theta}{2}\right) - A - B$$



	RISE CALCULATOR: CALCULATES THE VERTICAL HEIGHT OF AN OFFSET.			
	RISE	LENGTH (L)	Ø (ID)	OFFSET Ø (15°, 30° OR 45°)
SINGLE WALL				
DOUBLE WALL				

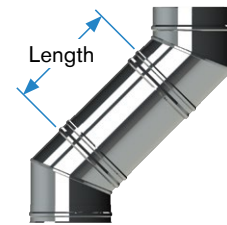
$$\text{RISE} = A + B + \theta \tan\left(\frac{\theta}{2}\right) + [A + B + \theta \tan\left(\frac{\theta}{2}\right) + L] \cos \theta$$



## OPTION 2: LENGTH OR OFFSET

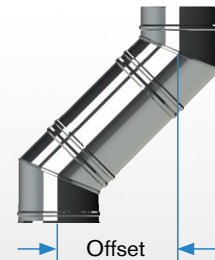
	LENGTH CALCULATOR: CALCULATES THE LENGTH BETWEEN ELBOWS.			
	LENGTH (L)	RISE	Ø (ID)	OFFSET Ø (15°, 30° OR 45°)
SINGLE WALL				
DOUBLE WALL				

$$L = \frac{[\text{RISE} - A - B - \theta \tan\left(\frac{\theta}{2}\right)]}{\cos \theta} - A - B - \theta \tan\left(\frac{\theta}{2}\right)$$



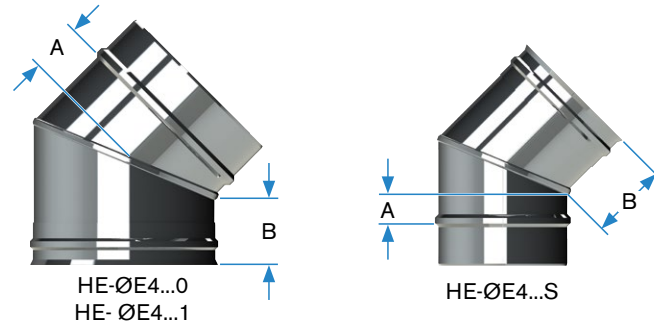
	OFFSET CALCULATOR: CALCULATES THE HORIZONTAL DISTANCE OF THE OFFSET.			
	OFFSET	LENGTH (L)	Ø (ID)	OFFSET Ø (15°, 30° OR 45°)
SINGLE WALL				
DOUBLE WALL				

$$\text{OFFSET} = [A + B + L + \theta \tan\left(\frac{\theta}{2}\right)] \sin \theta$$



- Notes:**
1. Available Offset angles (Ø) are 15°, 30° or 45°.
  2. Dimensions can be ± 0.25" (6.35mm).
  3. Three values are required: Inside diameter (ID), Offset angle and one of the following: Length or Rise or Offset

## MEASUREMENT A AND B EXAMPLE



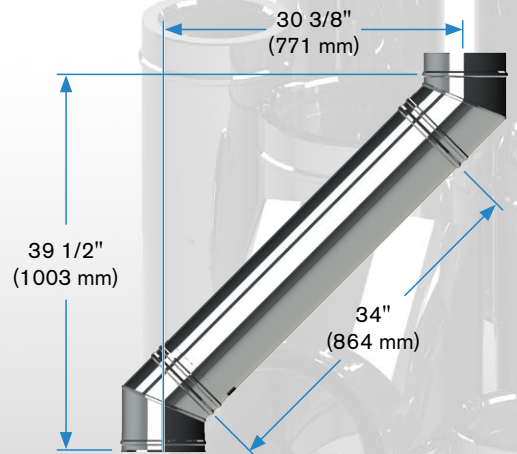
	SINGLE WALL			
	A		B	
	Inch	mm	Inch	mm
15°				
30°	1 1/2	38	3 1/2	89
45°				

	DOUBLE WALL / INSULATED			
	A		B	
	Inch	mm	Inch	mm
15°	1 3/8	35	3 3/8	86
30°	1 1/4	32	3 1/4	83
45°	1 1/8	29	3 1/8	79

Note: These dimensions are common to all diameters.

## OFFSET EXAMPLE



HE-10E4F26D280 - 2 X 45° Elbow  
HC-10L3F26D280 - 36" (914mm) Length

# ELBOWS



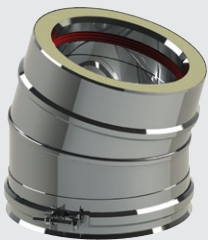
SINGLE WALL 3"Ø TO 5"Ø



SINGLE WALL 6"Ø TO 24"Ø



DOUBLE WALL 3"Ø TO 24"Ø

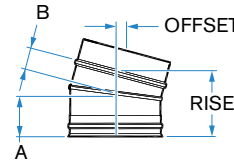
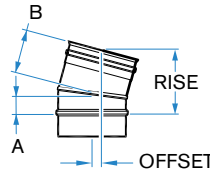


INSULATED 3"Ø TO 24"Ø

## ELBOW 15° - E1

**15 Degree Elbow:** Installed when a change of direction is required in the vent (offset). When calculating flow, a 15 degree elbow is equivalent to 3 feet of horizontal vent. Includes a factory installed silicone gasket and locking band.

SINGLE WALL				
Flue	AL29-4C		SS 444	
PRODUCT CODE	HE-ØE1...S			
EXAMPLE	HE-06E1F26000S		HE-06E1E26000S	
DOUBLE WALL				
Flue	AL29-4C	SS 444	AL29-4C	SS 444
Casing	SS 430	SS 430	SS 430	SS 430
Insulation	N/A	N/A	1 Inch	1 Inch
PRODUCT CODE	HE-ØE1...0		HE-ØE1...1	
EXAMPLE	HE-06E1F26D280	HE-06E1E26D280	HE-06E1F26D281	HE-06E1E26D281



Ø		SINGLE WALL							
		Offset		Rise		A		B	
Inch	mm	Inch	mm	Inch	mm	Inch	mm	Inch	mm
3	76	15/16	24	5 1/4	133	1 13/16	46	3 9/16	90
4	102	1	25	5 3/8	137	1 7/8	48	3 5/8	92
5	127	1	25	5 1/2	140	1 15/16	49	3 11/16	94
6	152	1	25	5 5/8	143	2	51	3 3/4	96
7	178	1	26	5 3/4	146	2 1/16	52	3 13/16	97
8	203	1 1/16	27	5 7/8	150	2 1/8	54	3 7/8	99
9	229	1 1/16	27	6	153	2 3/16	56	3 15/16	101
10	254	1 1/16	27	6 1/8	156	2 1/4	57	4 1/16	102
12	305	1 1/8	28	6 3/8	163	2 3/8	61	4 3/16	106
14	356	1 3/16	29	6 11/16	169	2 1/2	64	4 5/16	109
16	406	1 3/16	30	6 15/16	176	2 5/8	67	4 7/16	112
18	457	1 3/16	30	7 3/16	182	2 13/16	71	4 9/16	116
20	508	1 1/4	32	7 7/16	189	2 15/16	74	4 11/16	119
22	559	1 5/16	33	7 11/16	196	3 1/16	77	4 13/16	123
24	610	1 5/16	33	7 15/16	202	3 3/16	81	4 15/16	126

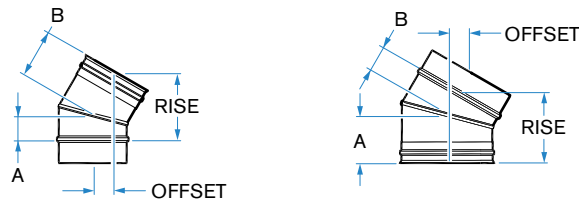
Ø		DOUBLE WALL / INSULATED							
		Offset		Rise		A		B	
Inch	mm	Inch	mm	Inch	mm	Inch	mm	Inch	mm
3	76	1/2	13	5 9/16	141	3 9/16	90	2 1/16	52
4	102	1/2	13	5 11/16	144	3 5/8	92	2 1/8	54
5	127	9/16	14	5 13/16	148	3 11/16	94	2 3/16	55
6	152	9/16	14	5 15/16	151	3 3/4	95	2 1/4	57
7	178	9/16	14	6 1/16	154	3 13/16	97	2 5/16	59
8	203	9/16	14	6 3/16	157	3 15/16	100	2 3/8	60
9	229	5/8	16	6 5/16	160	4	102	2 7/16	62
10	254	5/8	16	6 1/2	165	4 1/16	103	2 1/2	64
12	305	11/16	17	6 3/4	172	4 3/16	106	2 5/8	67
14	356	11/16	17	7	178	4 5/16	110	2 3/4	70
16	406	3/4	18	7 1/4	185	4 7/16	113	2 15/16	75
18	457	3/4	18	7 1/2	191	4 9/16	116	3 1/16	78
20	508	13/16	21	7 3/4	197	4 11/16	119	3 3/16	81
22	559	13/16	21	8	203	4 13/16	122	3 5/16	84
24	610	7/8	21	8 5/16	211	4 15/16	125	3 7/16	87

**Note:** All available flue diameter sizes are in inches. Flue diameters: 3", 4", 5", 6", 7", 8", 9", 10", 12", 14", 16", 18", 20", 22" and 24"

## ELBOW 30° - E3

**30 Degree Elbow:** Installed when a change of direction is required in the vent (offset). When calculating flow, a 30 degree elbow is equivalent to 5 feet of horizontal vent. Includes a factory installed silicone gasket and locking band.

		SINGLE WALL			
Flue		AL29-4C		SS 444	
PRODUCT CODE		HE-ØE3...S			
EXAMPLE		HE-06E3F26000S		HE-06E3E26000S	
		DOUBLE WALL		INSULATED	
Flue		AL29-4C		SS 444	
Casing		SS 430		SS 430	
Insulation		N/A		1 Inch	
PRODUCT CODE		HE-ØE3...0		HE-ØE3...1	
EXAMPLE		HE-06E3F26D280		HE-06E3E26D280	
		HE-06E3F26D281		HE-06E3E26D281	



Ø		SINGLE WALL							
		Offset		Rise		A		B	
Inch	mm	Inch	mm	Inch	mm	Inch	mm	Inch	mm
3	76	1 15/16	49	5 1/4	133	2	51	3 13/16	97
4	102	2	51	5 1/2	140	2 3/16	56	3 15/16	100
5	127	2 1/16	52	5 3/4	146	2 1/4	57	4 1/16	103
6	152	2 1/8	55	6	153	2 3/8	61	4 1/8	106
7	178	2 1/4	56	6 1/4	159	2 9/16	65	4 1/4	110
8	203	2 1/4	58	6 8/16	166	2 11/16	68	4 1/2	114
9	229	2 3/8	60	6 3/4	172	2 13/16	71	4 5/8	117
10	254	2 7/16	62	7	178	2 15/16	75	4 3/4	120
12	305	2 9/16	65	7 1/2	191	3 3/16	81	5	127
14	356	2 11/16	68	8	204	3 1/2	88	5 1/4	134
16	406	2 13/16	72	8 1/2	216	3 3/4	95	5 9/16	141
18	457	2 15/16	75	9	229	4	102	5 13/16	147
20	508	3 1/16	78	9 1/2	242	4 1/4	109	6 1/16	154
22	559	3 1/4	82	10	255	4 9/16	115	6 1/4	161
24	610	3 5/16	84	10 1/2	267	4 13/16	122	6 5/8	168

Ø		DOUBLE WALL / INSULATED							
		Offset		Rise		A		B	
Inch	mm	Inch	mm	Inch	mm	Inch	mm	Inch	mm
3	76	1 1/16	27	5 3/4	146	3 13/16	97	2 1/4	57
4	102	1 1/8	29	6	152	3 15/16	100	2 3/8	60
5	127	1 1/4	32	6 1/4	159	4 1/16	103	2 1/2	64
6	152	1 5/16	33	6 1/2	165	4 3/16	106	2 11/16	68
7	178	1 3/8	35	6 3/4	171	4 5/16	110	2 13/16	71
8	203	1 7/16	37	7	178	4 1/2	114	2 15/16	74
9	229	1 1/2	38	7 1/4	184	4 5/8	117	3 1/16	78
10	254	1 9/16	40	7 1/2	191	4 3/4	121	3 3/16	81
12	305	1 11/16	43	8	203	5	127	3 7/16	87
14	356	1 13/16	46	8 1/2	216	5 1/4	133	3 3/4	95
16	406	2	51	9	229	5 9/16	141	4	102
18	457	2 1/8	54	9 1/2	241	5 13/16	148	4 1/4	108
20	508	2 1/4	57	10	254	6 1/16	154	4 1/2	114
22	559	2 3/8	60	10 1/2	267	6 5/16	160	4 13/16	122
24	610	2 1/2	64	11	279	6 5/8	168	5 1/16	129

**Note:** All available flue diameter sizes are in inches. Flue diameters: 3", 4", 5", 6", 7", 8", 9", 10", 12", 14", 16", 18", 20", 22" and 24"



SINGLE WALL 3"Ø TO 5"Ø



SINGLE WALL 6"Ø TO 24"Ø



DOUBLE WALL 3"Ø TO 24"Ø



INSULATED 3"Ø TO 24"Ø

# ELBOWS



SINGLE WALL 3"Ø TO 5"Ø



SINGLE WALL 6"Ø TO 24"Ø



DOUBLE WALL 3"Ø TO 24"Ø



INSULATED WALL 3"Ø TO 24"Ø

## ELBOW 45° - E4

**45 Degree Elbow:** Installed when a change of direction is required in the vent (offset). When calculating flow, a 45 degree elbow is equivalent to 8 feet of horizontal vent. Includes a factory installed silicone gasket and locking band.

SINGLE WALL				
Flue	AL29-4C		SS 444	
PRODUCT CODE	HE-ØE4...S			
EXAMPLE	HE-06E4F26000S		HE-06E4E26000S	
DOUBLE WALL				
INSULATED				
Flue	AL29-4C	SS 444	AL29-4C	SS 444
Casing	SS 430	SS 430	SS 430	SS 430
Insulation	N/A	N/A	1 Inch (25.4mm)	1 Inch (25.4mm)
PRODUCT CODE	HE-ØE4...0		HE-ØE4...1	
EXAMPLE	HE-06E4F26D280	HE-06E4E26D280	HE-06E4F26D281	HE-06E4E26D281



Ø		SINGLE WALL							
		Offset		Rise		A		B	
Inch	mm	Inch	mm	Inch	mm	Inch	mm	Inch	mm
3	76	2 7/8	73	5 1/16	129	2 1/4	57	4 1/16	103
4	102	3 1/16	78	5 3/8	137	2 7/16	62	4 1/4	108
5	127	3 3/16	81	5 3/4	146	2 5/8	67	4 7/16	113
6	152	3 3/8	85	6 1/8	155	2 7/8	72	4 11/16	119
7	178	3 1/2	89	6 7/16	164	3 1/16	78	4 7/8	124
8	203	3 5/8	92	6 13/16	173	3 1/4	83	5 1/16	129
9	229	3 13/16	96	7 3/16	182	3 7/16	88	5 5/16	134
10	254	3 15/16	100	7 1/2	191	3 11/16	93	5 1/2	140
12	305	4 3/16	107	8 1/4	209	4 1/16	104	5 15/16	150
14	356	4 1/2	115	8 15/16	227	4 1/2	114	6 5/16	161
16	406	4 13/16	122	9 5/8	245	4 15/16	125	6 3/4	171
18	457	5 1/8	130	10 5/16	263	5 5/16	135	7 1/8	182
20	508	5 3/8	137	11 1/16	281	5 3/4	146	7 9/16	192
22	559	5 11/16	145	11 3/4	298	6 1/8	156	8	203
24	610	6	152	12 7/16	316	6 9/16	167	8 3/8	213

Ø		DOUBLE WALL / INSULATED							
		Offset		Rise		A		B	
Inch	mm	Inch	mm	Inch	mm	Inch	mm	Inch	mm
3	76	1 11/16	43	5 13/16	148	4 1/16	103	2 1/2	64
4	102	1 13/16	46	6 1/8	156	4 1/4	108	2 11/16	68
5	127	2	51	6 1/2	165	4 7/16	113	2 7/8	73
6	152	2 1/8	54	6 7/8	175	4 11/16	119	3 1/16	78
7	178	2 1/4	57	7 3/16	183	4 7/8	124	3 5/16	84
8	203	2 7/16	62	7 9/16	192	5 1/16	129	3 1/2	89
9	229	2 9/16	65	7 15/16	202	5 5/16	135	3 11/16	94
10	254	2 11/16	68	8 1/4	210	5 1/2	140	3 15/16	100
12	305	3	76	9	229	5 7/8	149	4 5/16	110
14	356	3 5/16	84	9 11/16	246	6 5/16	160	4 3/4	121
16	406	3 5/8	92	10 3/8	264	6 3/4	171	5 5/16	135
18	457	3 7/8	98	11 1/8	283	7 1/8	181	5 9/16	141
20	508	4 3/16	106	11 13/16	300	7 9/16	192	6	152
22	559	4 1/2	114	12 1/2	318	8	203	6 7/16	163
24	610	4 13/16	122	13 1/4	337	8 3/8	213	6 13/16	173

**Note:** All available flue diameter sizes are in inches. Flue diameters: 3", 4", 5", 6", 7", 8", 9", 10", 12", 14", 16", 18", 20", 22" and 24"



## ELBOW 90° - E9

**90 Degree Elbow:** Installed when a change of direction is required in the vent (offset). When calculating flow, a 90 degree elbow is equivalent to 15 feet of horizontal vent. Includes a factory installed silicone gasket and locking band. A 90 degree elbow is not available insulated.

SINGLE WALL		
Flue	AL29-4C	SS 444
<b>PRODUCT CODE</b>	HE-ØE9...S	
EXAMPLE	HE-06E9F26000S	HE-06E9E26000S
DOUBLE WALL		
Flue	AL29-4C	SS 444
Casing	SS 430	SS 430
Insulation	N/A	N/A
<b>PRODUCT CODE</b>	HE-ØE9...0	
EXAMPLE	HE-06E9F26D280	HE-06E9E26D280



Ø		SINGLE WALL			
		Offset		Rise	
Inch	mm	Inch	mm	Inch	mm
3	76	6 1/2	165	4 1/2	114
4	102	7	178	5	127
5	127	7 1/2	191	5 3/4	146
6	152	8	204	6 1/8	155
7	178	8 1/2	216	6 7/16	164
8	203	9	229	6 13/16	173
9	229	9 1/2	241	7 3/16	182
10	254	10	254	7 1/2	191
12	305	11	280	8 1/4	209
14	356	12	305	8 15/16	227
16	406	13	330	9 5/8	245
18	457	14	356	10 5/16	263
20	508	15	381	11 1/16	281
22	559	16	407	11 3/4	298
24	610	17 1/16	433	12 7/16	316

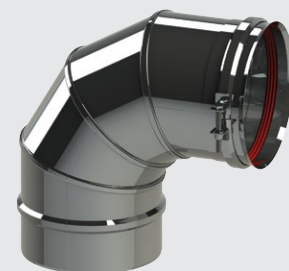
  

Ø		DOUBLE WALL			
		Offset		Rise	
Inch	mm	Inch	mm	Inch	mm
3	76	4 13/16	122	6 1/2	165
4	102	5 5/16	135	7	178
5	127	5 13/16	148	7 1/2	191
6	152	6 5/16	160	8	203
7	178	6 13/16	173	8 1/2	216
8	203	7 5/16	186	9	229
9	229	7 13/16	198	9 1/2	241
10	254	8 5/16	211	10	254
12	305	9 5/16	237	11	279
14	356	10 5/16	262	12	305
16	406	11 5/16	287	13	330
18	457	12 5/16	313	14	356
20	508	13 5/16	338	15	381
22	559	14 5/16	364	16	406
24	610	15 5/16	389	17	432

**Note:** All available flue diameter sizes are in inches. Flue diameters: 3", 4", 5", 6", 7", 8", 9", 10", 12", 14", 16", 18", 20", 22" and 24"



SINGLE WALL 3"Ø TO 5"Ø



SINGLE WALL 6"Ø TO 24"Ø



DOUBLE WALL 3"Ø TO 24"Ø

# ELBOWS



SINGLE WALL 3"Ø TO 5"Ø



SINGLE WALL 6"Ø TO 24"Ø



DOUBLE WALL 3"Ø TO 24"Ø

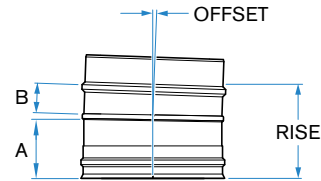
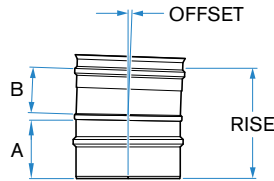


INSULATED WALL 3"Ø TO 24"Ø

## ELBOW 2° - E0

**2 Degree Elbow:** Installed horizontally to maintain 2 degree slope in the system.

	SINGLE WALL			
Flue	AL29-4C		SS 444	
PRODUCT CODE	HE-ØE0...S			
EXAMPLE	HE-06E0F26000S		HE-06E0E26000S	
	DOUBLE WALL		INSULATED	
Flue	AL29-4C	SS 444	AL29-4C	SS 444
Casing	SS 430	SS 430	SS 430	SS 430
Insulation	N/A	N/A	1 Inch (25.4mm)	1 Inch (25.4mm)
PRODUCT CODE	HE-ØE0...0		HE-ØE0...1	
EXAMPLE	HE-06E0F26D280	HE-06E0E26D280	HE-06E0F26D281	HE-06E0E26D281



Ø	SINGLE WALL								
	Offset		Rise		A		B		
Inch	mm	Inch	mm	Inch	mm	Inch	mm	Inch	mm
3	76	1/8	3	5	127	3 3/8	86	1 5/8	41
4	102	1/8	3	5	127	3 3/8	86	1 5/8	41
5	127	1/8	3	5 1/16	129	3 7/16	87	1 5/8	41
6	152	1/8	3	5 1/16	129	3 7/16	87	1 5/8	41
7	178	1/8	3	5 1/16	129	3 7/16	87	1 11/16	43
8	203	1/8	3	5 1/16	129	3 7/16	87	1 11/16	43
9	229	1/8	3	5 1/8	130	3 7/16	87	1 11/16	43
10	254	1/8	3	5 1/8	130	3 7/16	87	1 11/16	43
12	305	1/8	3	5 3/16	132	3 1/2	89	1 11/16	43
14	356	1/8	3	5 3/16	132	3 1/2	89	1 3/4	44
16	406	1/8	3	5 1/4	133	3 1/2	89	1 3/4	44
18	457	1/8	3	5 1/4	133	3 1/2	89	1 3/4	44
20	508	1/8	3	5 5/16	135	3 9/16	90	1 3/4	44
22	559	1/8	3	5 5/16	135	3 9/16	90	1 13/16	46
24	610	1/8	3	5 3/8	137	3 9/16	90	1 13/16	46

Ø	DOUBLE WALL / INSULATED								
	Offset		Rise		A		B		
Inch	mm	Inch	mm	Inch	mm	Inch	mm	Inch	mm
3	76	1/16	2	5 1/4	133	3 3/8	86	1 7/8	48
4	102	1/16	2	5 1/4	133	3 3/8	86	1 7/8	48
5	127	1/16	2	5 5/16	135	3 3/8	86	1 7/8	48
6	152	1/16	2	5 5/16	135	3 7/16	87	1 7/8	48
7	178	1/16	2	5 5/16	135	3 7/16	87	1 7/8	48
8	203	1/16	2	5 5/16	135	3 7/16	87	1 15/16	49
9	229	1/16	2	5 3/8	137	3 7/16	87	1 15/16	49
10	254	1/16	2	5 3/8	137	3 7/16	87	1 15/16	49
12	305	1/16	2	5 7/16	138	3 7/16	87	1 15/16	49
14	356	1/16	2	5 7/16	138	3 1/2	89	1 15/16	49
16	406	1/16	2	5 1/2	140	3 1/2	89	2	51
18	457	1/16	2	5 1/2	140	3 1/2	89	2	51
20	508	1/8	3	5 9/16	141	3 9/16	90	2	51
22	559	1/8	3	5 9/16	141	3 9/16	90	2 1/16	52
24	610	1/8	3	5 5/8	143	3 9/16	90	2 1/16	52

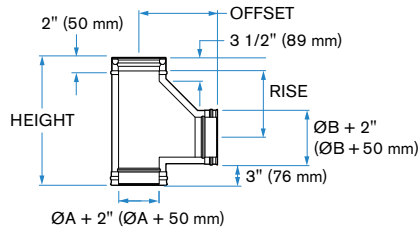
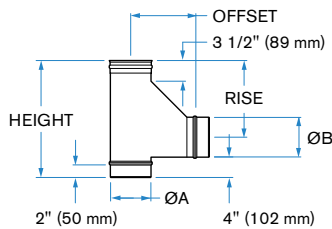
**Note:** All available flue diameter sizes are in inches. Flue diameters: 3", 4", 5", 6", 7", 8", 9", 10", 12", 14", 16", 18", 20", 22" and 24"

# BOOT TEES

## BOOT TEE - BT

**Boot Tee:** Can be installed horizontally or vertically when connecting multiple appliances to a common vent or as a means to maintain the vent. A boot tee will provide less backpressure than a standard tee. If installed vertically, a drain cap is required, if installed horizontally a regular cap can be used. Use of a boot tee is equivalent to 15 feet of horizontal vent. A boot tee can be ordered with a body and mouth of different diameters. Includes factory installed silicone gaskets and two locking bands.

		SINGLE WALL			
Flue		AL29-4C		SS 444	
<b>PRODUCT CODE</b>		HE-ØBT...S			
EXAMPLE		HE-06BTF26000S		HE-06BTE26000S	
		DOUBLE WALL		INSULATED	
Flue		AL29-4C	SS 444	AL29-4C	SS 444
Casing		SS 430	SS 430	SS 430	SS 430
Insulation		N/A	N/A	1 Inch (25.4mm)	1 Inch (25.4mm)
<b>PRODUCT CODE</b>		HE-ØBT...0		HE-ØBT...1	
EXAMPLE		HE-06BTF26D280	HE-06BTE26D280	HE-06BTF26D281	HE-06BTE26D281



Ø		SINGLE WALL			
		Offset		Rise	
Inch	mm	Inch	mm	Inch	mm
5	127	10 1/16	256	12 3/8	314
6	152	10 9/16	268	12 7/8	327
7	178	11 1/16	281	13 3/8	340
8	203	11 9/16	294	13 7/8	352
9	229	12 1/16	306	14 3/8	365
10	254	12 9/16	319	14 7/8	378
12	305	13 9/16	344	15 7/8	403
14	356	14 9/16	370	16 7/8	429
16	406	15 9/16	395	17 7/8	454
18	457	16 9/16	421	18 7/8	479
20	508	17 9/16	446	19 7/8	505
22	559	18 9/16	471	20 7/8	530
24	610	19 9/16	497	21 7/8	556

Ø		DOUBLE WALL / INSULATED			
		Offset		Rise	
Inch	mm	Inch	mm	Inch	mm
5	127	12 1/16	306	10 5/8	270
6	152	12 9/16	319	11 1/8	283
7	178	13 1/16	332	11 5/8	295
8	203	13 9/16	344	12 1/8	308
9	229	14 1/16	357	12 5/8	321
10	254	14 9/16	370	13 1/8	333
12	305	15 9/16	395	14 1/8	359
14	356	16 9/16	421	15 1/8	384
16	406	17 9/16	446	16 1/8	410
18	457	18 9/16	471	17 1/8	435
20	508	19 9/16	497	18 1/8	460
22	559	20 9/16	522	19 1/8	486
24	610	21 9/16	548	20 1/8	511

SINGLE WALL MANIFOLD		
Height	Offset	Rise
Inch (mm)	Inch (mm)	Inch (mm)
ØB + 13 7/8 (ØB + 352 mm)	ØA/2 + 7 9/16 (ØA/2 + 192 mm)	ØB/2 + 9 7/8 (ØB/2 + 251 mm)

DOUBLE WALL / INSULATED MANIFOLD		
Height	Offset	Rise
Inch (mm)	Inch (mm)	Inch (mm)
ØB + 13 7/8 (ØB + 352 mm)	ØA/2 + 9 9/16 (ØA/2 + 230 mm)	ØB/2 + 8 1/8 (ØB/2 + 206 mm)

Also available:

- Manifold Boot Tee with smaller size mouth.  
(Example: HE-08BTE26000S06)
- Boot Tee with an inverse connection.  
(Example: HE-08BIE26000S)

Check with ICC for custom size boot tees.



SINGLE WALL 5"Ø



SINGLE WALL 6"Ø TO 24"Ø



DOUBLE WALL 5"Ø TO 24"Ø



INSULATED WALL 5"Ø TO 24"Ø

**Notes:** 1. All available flue diameter sizes are in inches. Flue diameters: 5", 6", 7", 8", 9", 10", 12", 14", 16", 18", 20", 22" and 24"  
\* Installed measurement.

# TEES



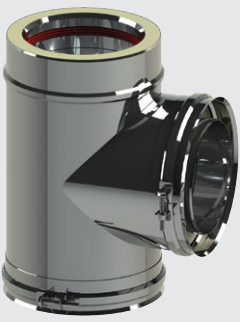
SINGLE WALL 3"Ø TO 5"Ø



SINGLE WALL 6"Ø TO 24"Ø



DOUBLE WALL 3"Ø TO 24"Ø

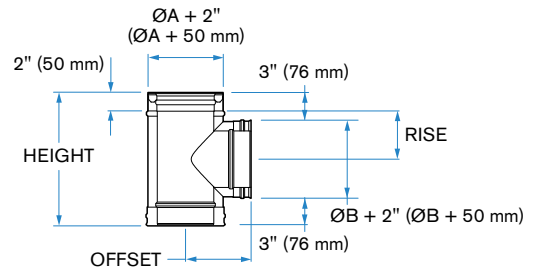
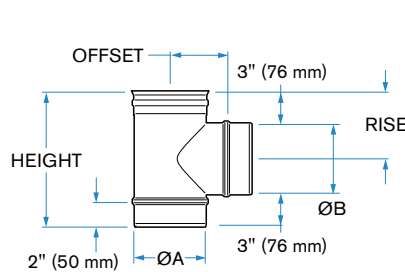


INSULATED WALL 3"Ø TO 24"Ø

## TEE - TR

**Tee:** Can be installed horizontally or vertically when connecting multiple appliances to a common vent. Use of a Tee will greatly increase backpressure and hinder condensate flow. A tee can be used when the appliance manufacturer recommends a barometric damper.

SINGLE WALL				
Flue	AL29-4C		SS 444	
PRODUCT CODE	HE-ØTR...S			
EXAMPLE	HE-06TRF26000S		HE-06TRE26000S	
DOUBLE WALL				
Flue	AL29-4C	SS 444	AL29-4C	SS 444
Casing	SS 430	SS 430	SS 430	SS 430
Insulation	N/A	N/A	1 Inch (25.4mm)	1 Inch (25.4mm)
PRODUCT CODE	HE-ØTR...0		HE-ØTR...1	
EXAMPLE	HE-06TRF26D280	HE-06TRE26D280	HE-06TRF26D281	HE-06TRE26D281



Ø	SINGLE WALL				
	Offset		Rise		
Inch	mm	Inch	mm	Inch	mm
3	76	2 1/2	64	4 1/2	114
4	102	3	76	5	127
5	127	3 1/2	89	5 1/2	140
6	152	4	102	6	152
7	178	4 1/2	114	6 1/2	165
8	203	5	127	7	178
9	229	5 1/2	140	7 1/2	191
10	254	6	152	8	203
12	305	7	178	9	229
14	356	8	203	10	254
16	406	9	229	11	279
18	457	10	254	12	305
20	508	11	279	13	330
22	559	12	305	14	356
24	610	13	330	15	381

Ø	DOUBLE WALL / INSULATED				
	Offset		Rise		
Inch	mm	Inch	mm	Inch	mm
3	76	5 1/2	140	3 3/4	95
4	102	6	152	4 1/4	108
5	127	6 1/2	165	4 3/4	121
6	152	7	178	5 1/4	133
7	178	7 1/2	191	5 3/4	146
8	203	8	203	6 1/4	159
9	229	8 1/2	216	6 3/4	171
10	254	9	229	7 1/4	184
12	305	10	254	8 1/4	210
14	356	11	279	9 1/4	235
16	406	12	305	10 1/4	260
18	457	13	330	11 1/4	286
20	508	14	356	12 1/4	311
22	559	15	381	13 1/4	337
24	610	16	406	14 1/4	362

SINGLE WALL MANIFOLD		
Height	Offset	Rise
Inch (mm)	Inch (mm)	Inch (mm)
ØB + 6	ØA/2 + 1	ØB/2 + 3
(ØB + 152 mm)	(ØA/2 + 25 mm)	(ØB/2 + 76 mm)

DOUBLE WALL / INSULATED MANIFOLD		
Height	Offset	Rise
Inch (mm)	Inch (mm)	Inch (mm)
ØB + 8	ØA/2 + 4	ØB/2 + 2 1/4
(ØB + 203 mm)	(ØA/2 + 102 mm)	(ØB/2 + 57 mm)

Also available:

- Manifold Tee with smaller size mouth. (Example: HE-08TRF26000S06)
- Boot Tee with an inverse connection. (Example: HE-08TIE26000S)
- Boot Tee with a removable mouth. (Example: HE-08TBE26000S05)

Check with ICC for custom size boot tees.

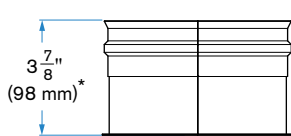
**Notes:** 1. All available flue diameter sizes are in inches. Flue diameters: 3", 4", 5", 6", 7", 8", 9", 10", 12", 14", 16", 18", 20", 22" and 24"  
\* Installed measurement.

# TEE CAPS

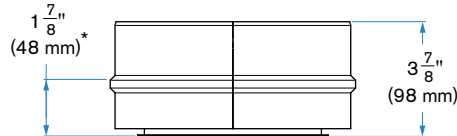
## TEE CAP - TC

**Tee Cap:** Installed in the horizontal opening of a Boot Tee or a regular Tee to allow access for maintenance or inspection. Includes factory installed silicone gasket and locking band.

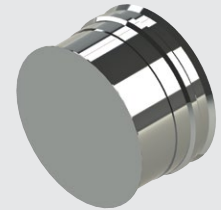
		SINGLE WALL	
Flue		AL29-4C	SS 444
<b>PRODUCT CODE</b>		HE-ØTC...S	
EXAMPLE		HE-06TCF26000S	HE-06TCE26000S
		DOUBLE WALL	
Flue		AL29-4C	SS 444
Casing		SS 430	SS 430
Insulation		N/A	N/A
<b>PRODUCT CODE</b>		HE-ØTC...0	
EXAMPLE		HE-06TCF26D280	HE-06TCE26D280



HE-ØTC...S



HE-ØTC...0



SINGLE WALL

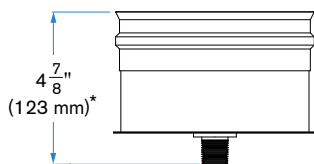


DOUBLE WALL / INSULATED

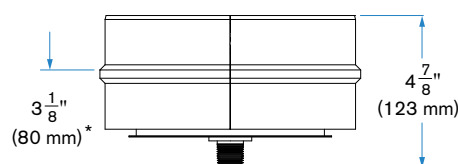
## TEE CAP DRAIN - TD

**Drain Tee Cap:** Installed in the vertical opening at the base of a Boot Tee or regular Tee to allow condensate to drain from the system. Includes factory installed silicone gasket and locking band.

		SINGLE WALL	
Flue		AL29-4C	SS 444
<b>PRODUCT CODE</b>		HE-ØTD...S	
EXAMPLE		HE-06TDF26000S	HE-06TDE26000S
		DOUBLE WALL	
Flue		AL29-4C	SS 444
Casing		SS 430	SS 430
Insulation		N/A	N/A
<b>PRODUCT CODE</b>		HE-ØTD...0	
EXAMPLE		HE-06TDF26D280	HE-06TDE26D280



HE-ØTD...S



HE-ØTD...0



SINGLE WALL



DOUBLE WALL / INSULATED

**Notes:** 1. All available flue diameter sizes are in inches. Flue diameters: 3", 4", 5", 6", 7", 8", 9", 10", 12", 14", 16", 18", 20", 22" and 24"  
2. Tee Caps and Tee Cap Drains are not available with insulation.

\* Installed measurement.

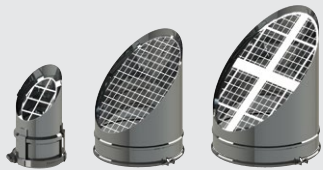
# TERMINATIONS



SINGLE WALL 3"Ø TO 5"Ø



SINGLE WALL 6"Ø TO 24"Ø



3"Ø TO 5"Ø | 6"Ø TO 12"Ø | 14"Ø TO 24"Ø  
SINGLE WALL

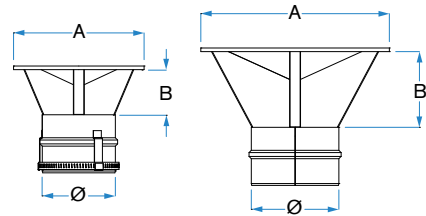
## RAIN CAP - RC

**Rain Cap:** Terminates a vertical system and prevents rainwater from entering. When installed on a double wall system, a double to single wall adapter (DS) is required. Includes a locking band.

	SINGLE WALL	
Flue	AL29-4C	SS 444
PRODUCT CODE	HE-ØRC...S	
EXAMPLE	HM-06RCF26000S	HM-06RCE26000S

Ø	A		B		
	Inch	mm	Inch	mm	
3	76	8	203	3 13/16	97
4	102	8	203	3 1/16	78
5	127	9	229	3 1/16	78
6	152	13	330	5 1/4	133
7	178	13	330	4 1/2	114
8	203	13	330	4 3/16	106
9	229	17	432	5 7/8	149
10	254	17	432	5 1/4	133
12	305	20 1/4	514	6 1/4	159
14	356	23 3/4	603	7 1/4	184
16	406	27 1/4	692	8 1/4	210
18	457	30 5/8	778	9 1/4	235
20	508	34	864	10 1/4	260
22	559	37 3/8	949	11 1/4	286
24	610	40 3/4	1035	12 1/4	311

The rain cap has an inverted vapor cone.

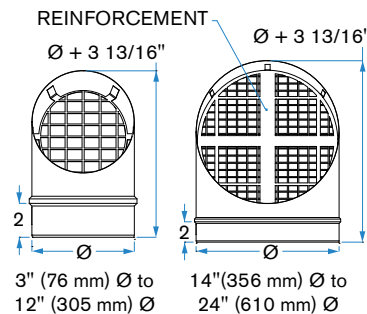


HM-ØRC...S

## MITER CUT - MC

**Miter Cut:** Terminates a horizontal system and directs gasses further away from the building. When installed on a double wall system, a double wall closure ring (CR) or a double to single wall adapter (DS) is required. Includes a locking band.

	SINGLE WALL	
Flue	AL29-4C	SS 444
PRODUCT CODE	HE-ØMC...S	
EXAMPLE	HM-06MCF26000S	HM-06MCE26000S



HM-ØMC...S

**Note:** All available flue diameter sizes are in inches. Flue diameters: 3", 4", 5", 6", 7", 8", 9", 10", 12", 14", 16", 18", 20", 22" and 24"

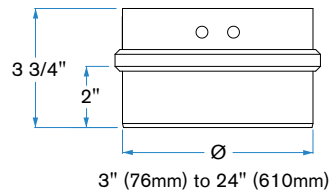
# TERMINATIONS

## SCREEN CLOSURE RING - SR

**Screen Closure Ring:** Terminates a horizontal vent system. When installed on a double wall system, a double to single wall adapter (DS) is required. Includes a locking band.

	SINGLE WALL	
Flue	AL29-4C	SS 444
<b>PRODUCT CODE</b>	HE-ØSR...S	
EXAMPLE	HM-06SRF26000S	HM-06SRE26000S

A female screen closure ring is available - SF

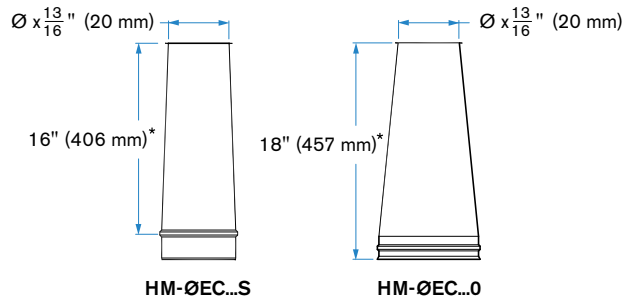


HM-ØSR...S

## EXIT CONE - EC

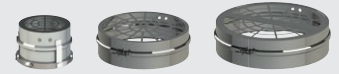
**Exit Cone:** Increases the flue gas velocity of a positive pressure appliance that terminates vertically. Includes a locking band.

	SINGLE WALL	
Flue	AL29-4C	SS 444
<b>PRODUCT CODE</b>	HM-ØEC...S	
EXAMPLE	HM-06ECF26000S	HM-06ECE26000S
	DOUBLE WALL	
		INSULATED
Flue	AL29-4C	SS 444
Casing	SS 430	SS 430
Insulation	N/A	N/A
<b>PRODUCT CODE</b>	HM-ØEC...0	
EXAMPLE	HM-06ECF26D280	HM-06ECE26D280



HM-ØEC...S

HM-ØEC...0



3"Ø TO 5"Ø | 6"Ø TO 12"Ø | 14"Ø TO 24"Ø  
SINGLE WALL



3"Ø TO 5"Ø | 6"Ø TO 24"Ø  
SINGLE WALL



DOUBLE WALL 3"Ø TO 24"Ø

**Notes:** 1. All available flue diameter sizes are in inches. Flue diameters: 3", 4", 5", 6", 7", 8", 9", 10", 12", 14", 16", 18", 20", 22" and 24"  
2. Exit cones are not available with insulation.

\* Installed measurement.

# TAPER INCREASERS & REDUCERS



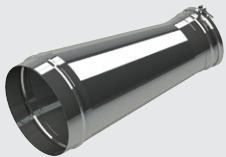
SINGLE WALL 3"Ø TO 5"Ø | 6"Ø TO 24"Ø



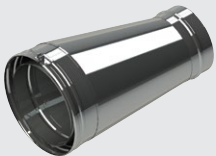
DOUBLE WALL 3"Ø TO 24"Ø



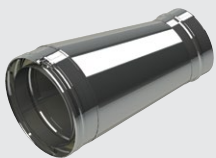
INSULATED 3"Ø TO 24"Ø



SINGLE WALL 3"Ø TO 5"Ø | 6"Ø TO 24"Ø



DOUBLE WALL 3"Ø TO 24"Ø

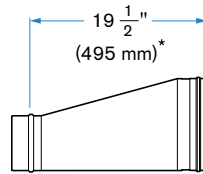


INSULATED 3"Ø TO 24"Ø

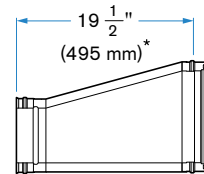
## TAPER INCREASER - IT

**Taper Increaser:** Increases the diameter of the vent in the direction of the flue gasses. The eccentric shape is designed to promote proper drainage of condensate. Includes a factory installed silicone gasket and locking band.

	SINGLE WALL	
Flue	AL29-4C	SS 444
<b>PRODUCT CODE</b>	<b>HM-ØIT...SØ</b>	
EXAMPLE	HM-06ITF26000S08	HM-06ITE26000S08
	DOUBLE WALL	INSULATED
Flue	AL29-4C	AL29-4C
Casing	SS 430	SS 430
Insulation	N/A	1 Inch (25.4mm)
<b>PRODUCT CODE</b>	<b>HM-ØIT...0Ø</b>	<b>HM-ØIT...1Ø</b>
EXAMPLE	HM-06ITF26D28008	HM-06ITF26D28108



HM-ØIT...SØ



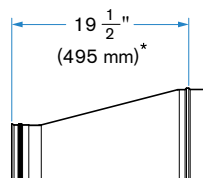
HM-ØIT...0Ø  
HM-ØIT...1Ø

**Note:** Taper increasers can be manufactured with up to six inches difference.

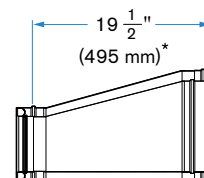
## TAPER REDUCER - RT

**Taper Reducer:** decreases the diameter of the vent in the direction of the flue gasses. The eccentric shape is designed to promote proper drainage of condensate. Includes a factory installed silicone gasket and locking band.

	SINGLE WALL	
Flue	AL29-4C	SS 444
<b>PRODUCT CODE</b>	<b>HM-ØRT...SØ</b>	
EXAMPLE	HM-08RTF26000S06	HM-08RTE26000S06
	DOUBLE WALL	INSULATED
Flue	AL29-4C	AL29-4C
Casing	SS 430	SS 430
Insulation	N/A	1 Inch (25.4mm)
<b>PRODUCT CODE</b>	<b>HM-ØRT...0Ø</b>	<b>HM-ØRT...1Ø</b>
EXAMPLE	HM-08RTF26D28006	HM-08RTF26D28106



HM-ØRT...SØ



HM-ØRT...0Ø  
HM-ØRT...1Ø

**Note:** Taper reducers can be manufactured with up to six inches difference.

**Note:** 1. All available flue diameter sizes are in inches. Flue diameters: 3", 4", 5", 6", 7", 8", 9", 10", 12", 14", 16", 18", 20", 22" and 24"  
\* Installed measurement.

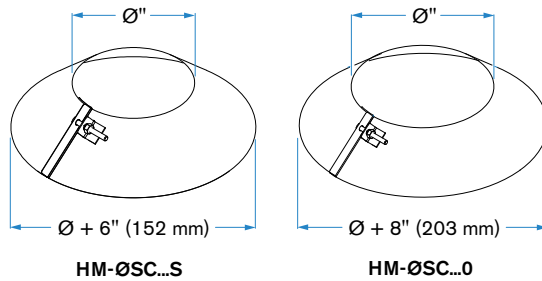


# STORM COLLARS

## STORM COLLAR - SC

**Storm Collar:** Creates a seal around the vent and flashing.

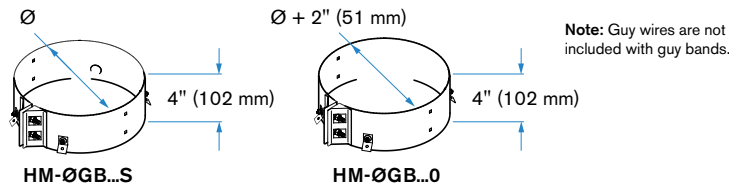
	SINGLE WALL	DOUBLE WALL / INSULATED
Casing	Galvalume	Galvalume
<b>PRODUCT CODE</b>	HM-ØSC...S	HM-ØSC...0
EXAMPLE	HM-06SC000C28S	HM-06SC000C280



## GUY BAND - GB

**Guy Band:** Required for extra stability when the vent system surpasses the roofline by more than 5 feet (1.5m). Maximum vent length above roof line using guy bands is 20 feet (6m). Maximum distance between guy bands is 10 feet (3m).

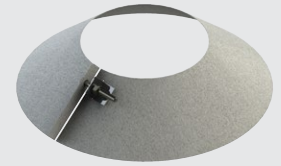
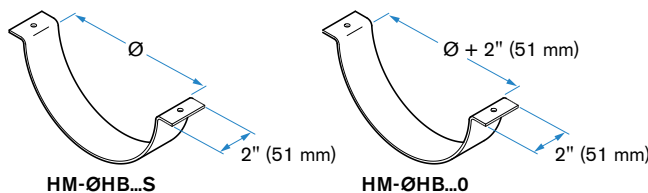
	SINGLE WALL	DOUBLE WALL / INSULATED
Casing	SS 304	SS 304
<b>PRODUCT CODE</b>	HM-ØGB...S	HM-ØGB...0
EXAMPLE	HM-06GB000A18S	HM-06GB000A180



## HORIZONTAL BAND - HB

**Horizontal Band:** Supports the vent system when it travels horizontally. For a single wall vent system the maximum distance between horizontal bands is 10 feet (3m). For a double wall vent system the maximum distance between Horizontal Bands is 6 feet (1.8m). Horizontal Bands are pre-punched for a 3/8" (9mm) threaded rod.

	SINGLE WALL	DOUBLE WALL / INSULATED
Casing	Galvalume	Galvalume
<b>PRODUCT CODE</b>	HM-ØHB...S	HM-ØHB...0
EXAMPLE	HM-06HB000C11S	HM-06HB000C110



SINGLE - DOUBLE - INSULATED



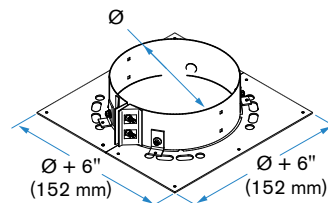
# SUPPORTS



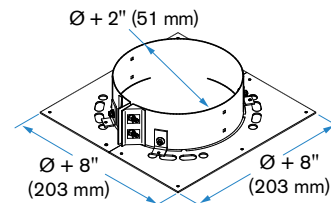
## BASE SUPPORT - BS

**Base Support:** Supports a vent system vertically on top of a floor or roof assembly. For single wall, it is rated to support 50 feet (15.2M) of vent up to 10 inches (254mm) in diameter and 30 feet (9.1M) of 12 inches (305mm) diameter or larger. For double wall, it is rated to support 15 feet (4.5M) of vent in all diameters.

	SINGLE WALL	DOUBLE WALL / INSULATED
Casing	SS 304	SS 304
<b>PRODUCT CODE</b>	HM-ØBS...S	HM-ØBS...0
EXAMPLE	HM-06BS000A18S	HM-06BS000A180



HM-ØBS...S



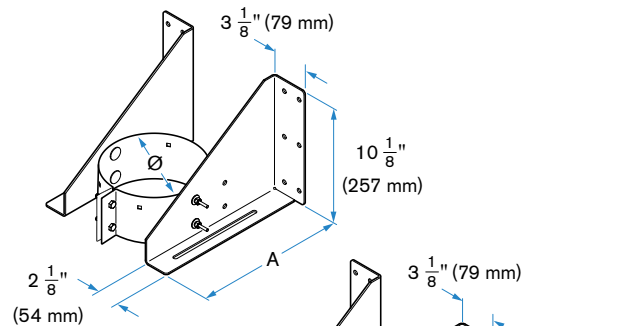
HM-ØBS...0

## WALL SUPPORT - WS

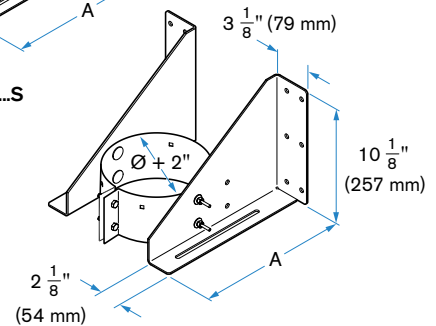
**Wall Support:** Supports a vent system vertically along a wall. For single wall, it is rated to support 50 feet (15.2M) of vent up to 10 inches (254mm) in diameter and 30 feet (9.1M) of 12 inch (305mm) diameter or larger. For double wall, it is rated to support 15 feet (4.5M) of vent in all diameters.

	SINGLE WALL	DOUBLE WALL / INSULATED
Casing	SS 304	SS 304
<b>PRODUCT CODE</b>	HM-ØWS...S	HM-ØWS...0
EXAMPLE	HM-06WS000A18S	HM-06WS000A180

SINGLE / DOUBLE WALL			
Ø		A	
Inch	mm	Inch	mm
3	76	11 1/2	292
4	102	12	305
5	127	12 1/2	318
6	152	13	330
7	178	13 1/2	343
8	203	14	356
9	229	14 1/2	368
10	254	15	381
12	305	16	406
14	356	17	432
16	406	18	457
18	457	19	483
20	508	20	508
22	559	21	533
24	610	22	559



HM-ØWS...S



HM-ØWS...0

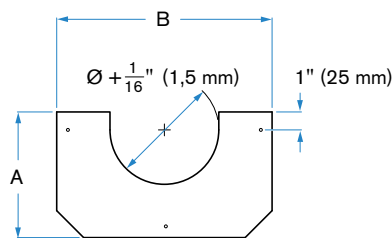
**Note:** All available flue diameter sizes are in inches. Flue diameters: 3", 4", 5", 6", 7", 8", 9", 10", 12", 14", 16", 18", 20", 22" and 24"

# FIRE STOPS - RADIATION SHIELDS

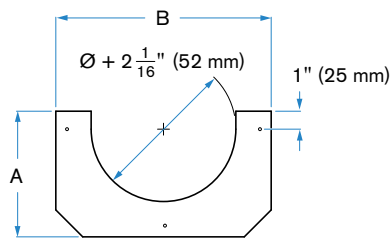
## FIRESTOP - FS

**Firestop:** Required when a double wall or insulated vent penetrates a combustible floor or ceiling. The firestop can also be used with single wall vent or at walls when the construction is non-combustible.

	SINGLE WALL	DOUBLE WALL / INSULATED
Casing	Galvalume	Galvalume
<b>PRODUCT CODE</b>	HM-ØFS...S	HM-ØFS...0
EXAMPLE	HM-06FS000C24S	HM-06FS000C240



HM-ØFS...S



HM-ØFS...0

SINGLE / DOUBLE WALL / INSULATED					
Ø		A		B	
Inch	mm	Inch	mm	Inch	mm
3	76	5 1/2	140	9	229
4	102	6	152	10	254
5	127	6 1/2	165	11	279
6	152	7	178	12	305
7	178	7 1/2	191	13	330
8	203	8	203	14	356
9	229	8 1/2	216	15	381
10	254	9	229	16	406
12	305	10	254	18	457
14	356	11	279	20	508
16	406	12	305	22	559
18	457	13	330	24	610
20	508	14	356	26	660
22	559	15	381	28	711
24	610	15	381	30	762

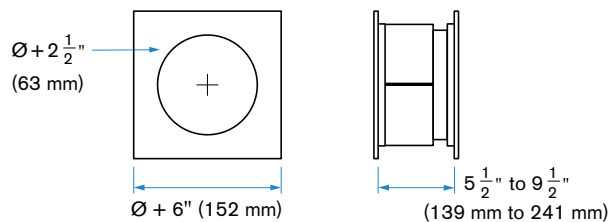


SINGLE - DOUBLE - INSULATED

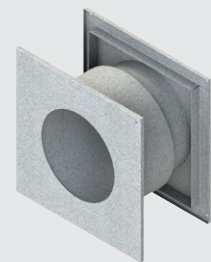
## WALL THIMBLE - WT

**Wall Thimble:** Required when the vent system penetrates a combustible wall. The length passing through the wall thimble must be insulated (ordered separately for single and double wall systems). The wall thimble is adjustable for wall thicknesses from 5 3/4" (146mm) to 10 1/2" (266 mm).

	SINGLE / DOUBLE WALL / INSULATED
Casing	Galvalume
<b>PRODUCT CODE</b>	HM-ØWT...S
EXAMPLE	HM-06WT000C24S



HM-ØWT...S



**Note:** All available flue diameter sizes are in inches. Flue diameters: 3", 4", 5", 6", 7", 8", 9", 10", 12", 14", 16", 18", 20", 22" and 24"

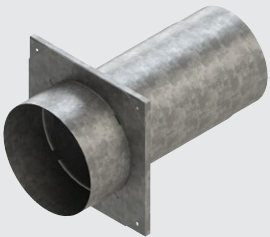
# RADIATION SHIELDS



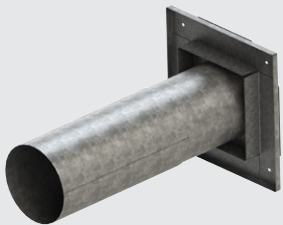
RS - SINGLE WALL



RS - DOUBLE WALL



RS - INSULATED



R2 - SINGLE WALL

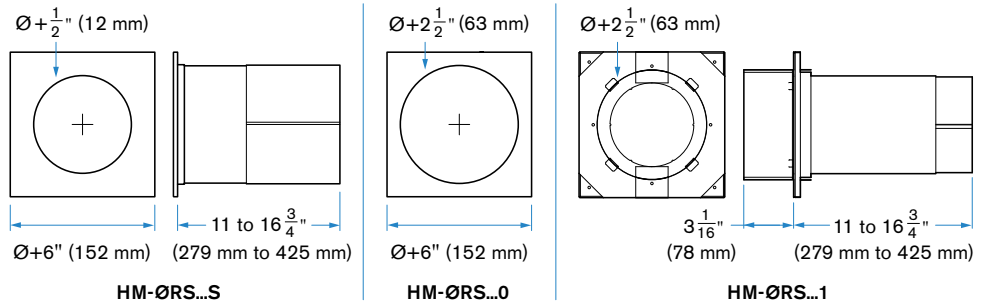


R1 - ROOF RADIATION

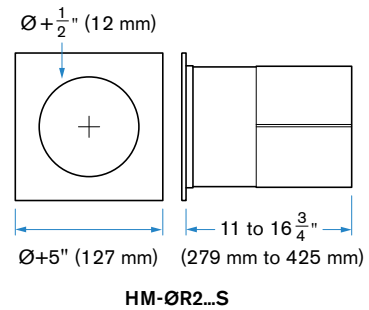
## RADIATION SHIELD - RS - R2

**Radiation Shield:** Required when the system penetrates a combustible floor or ceiling.

	SINGLE WALL	DOUBLE WALL	INSULATED
Flue	Galvalume	N/A	N/A
Casing	Galvalume	Galvalume	Galvalume
Insulation	1 Inch (25.4mm)	N/A	N/A
<b>PRODUCT CODE</b>	HM-ØRS	HM-ØRS...0	HM-ØRS...1
Diameter	6" TO 24"	3" TO 24"	3" TO 24"
EXAMPLE	HM-06RS000C28S	HM-06RS000C280	HM-06RS000C281



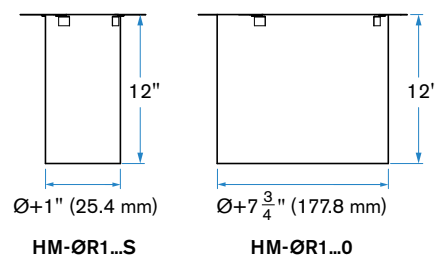
	SINGLE WALL
Flue	Galvalume
Casing	Galvalume
Insulation	1 Inch (25.4mm)
<b>PRODUCT CODE</b>	HM-ØR2...S
Diameter	3" TO 5"
EXAMPLE	HM-03R2000C24S



## ROOF RADIATION SHIELD - R1

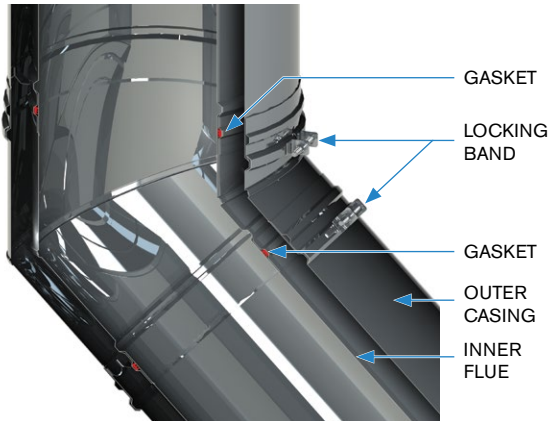
**ROOF Radiation Shield:** Required when the system penetrates a combustible roof or curb.

	SINGLE WALL	DOUBLE WALL
Flue	Galvalume	N/A
Casing	Galvalume	Galvalume
Insulation	1 Inch (25.4mm)	N/A
<b>PRODUCT CODE</b>	HM-ØR1...S	HM-ØR1...0
Diameter	3" TO 24"	3" TO 24"
EXAMPLE	HM-03R1000C24S	HM-03R1000C240



# LOCKING BANDS

## SINGLE AND DOUBLE WALL - LB

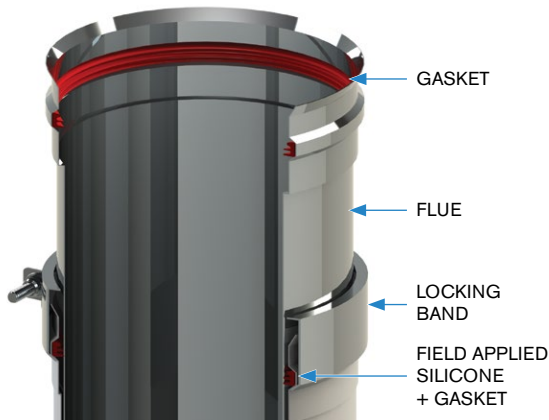


SINGLE / DOUBLE / INSULATED	
Casing	SS 304
PRODUCT CODE	DESCRIPTION
HM-05LBA20000S	LOCKING BAND (3D, 3I)
HM-06LBA20000S	LOCKING BAND (6S, 4D, 4I)
HM-07LBA20000S	LOCKING BAND (7S, 5D, 5I)
HM-08LBA20000S	LOCKING BAND (8S, 6D, 6I)
HM-09LBA20000S	LOCKING BAND (9S, 7D, 7I)
HM-10LBA20000S	LOCKING BAND (10S, 8D, 8I)
HM-11LBA20000S	LOCKING BAND (9D, 9I)
HM-12LBA20000S	LOCKING BAND (12S, 10D, 10I)
HM-14LBA20000S	LOCKING BAND (14S, 12D, 12I)
HM-16LBA20000S	LOCKING BAND (16S, 14D, 14I)
HM-18LBA20000S	LOCKING BAND (18S, 18D, 18I)
HM-20LBA20000S	LOCKING BAND (20S, 18D, 18I)
HM-22LBA20000S	LOCKING BAND (22S, 20D, 20I)
HM-24LBA20000S	LOCKING BAND (24S, 22D, 22I)
HM-26LBA20000S	LOCKING BAND (26S, 24D, 24I)



SINGLE/DOUBLE WALL

## SINGLE WALL ADJUSTABLE- LA

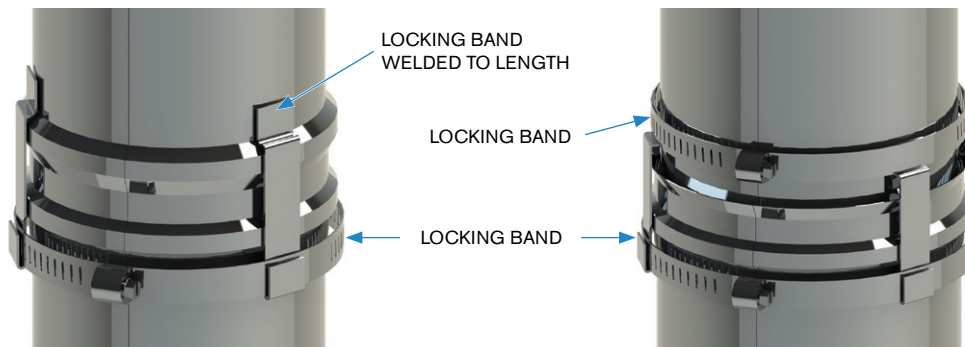


SINGLE / DOUBLE / INSULATED	
Casing	SS 304
PRODUCT CODE	DESCRIPTION
HM-06LAA20000S	ADJUSTABLE LOCKING BAND
HM-07LAA20000S	
HM-08LAA20000S	
HM-09LAA20000S	
HM-10LAA20000S	
HM-12LAA20000S	
HM-14LAA20000S	
HM-16LAA20000S	
HM-18LAA20000S	
HM-20LAA20000S	
HM-22LAA20000S	
HM-24LAA20000S	



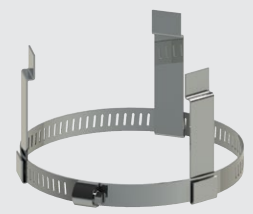
SINGLE WALL ADJUSTABLE

## SINGLE WALL 3" & 5"



SINGLE WALL

SINGLE WALL ADJUSTABLE

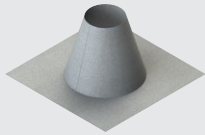


SINGLE WALL 3" & 5"

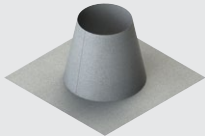


SINGLE WALL ADJUSTABLE 3" & 5"

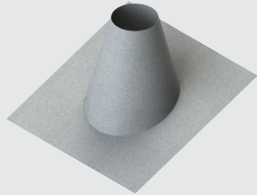
# FLASHINGS



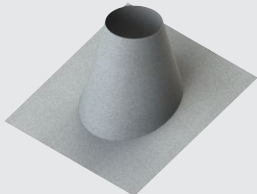
SINGLE WALL



DOUBLE WALL / INSULATED



SINGLE WALL



DOUBLE WALL / INSULATED



SINGLE WALL

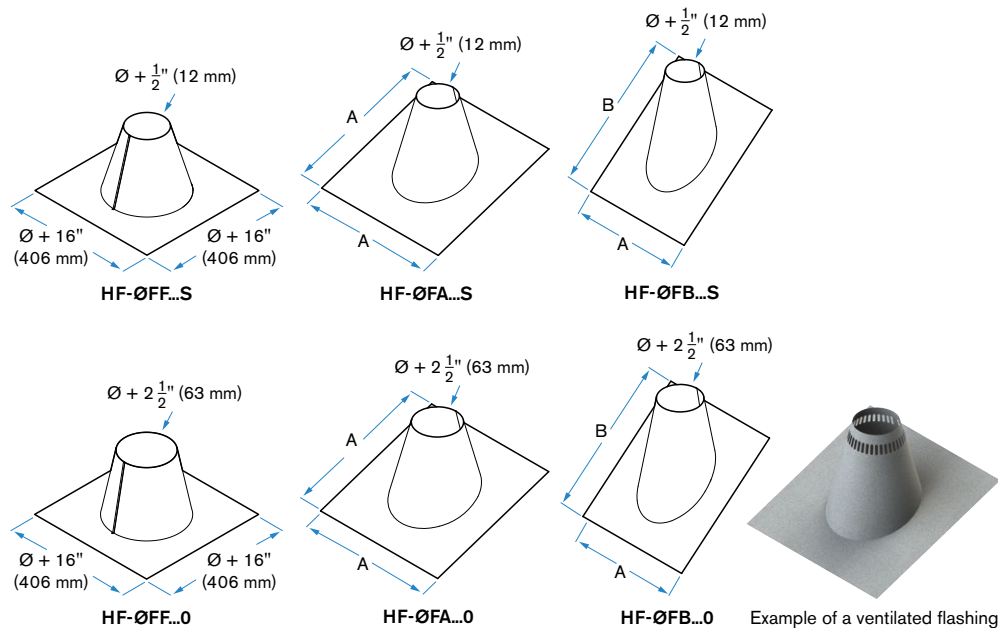


DOUBLE WALL / INSULATED

## FLASHING - FF, FA, FB, VF, VA & VB

**Flashing:** Seals the roof where the vent system penetrates. A vented flashing is required when the roof is combustible. Storm collar is sold separately.

	SINGLE WALL	DOUBLE WALL / INSULATED	SINGLE WALL	DOUBLE WALL / INSULATED
Material	Galvalume	Galvalume	Galvalume	Galvalume
PRODUCT CODE	HF-ØFF...S	HF-ØFF...0	HF-ØVF...S	HF-ØVF...0
EXAMPLE	HF-06FF000C28S	HF-06FF000C280	HF-06VF000C28S	HF-06VF000C280
PRODUCT CODE	HF-ØFA...S	HF-ØFA...0	HF-ØVA...S	HF-ØVA...0
EXAMPLE	HF-06FA000C28S	HF-06FA000C280	HF-06VA000C28S	HF-06VA000C280
PRODUCT CODE	HF-ØFB...S	HF-ØFB...0	HF-ØVB...S	HF-ØVB...0
EXAMPLE	HF-06FB000C28S	HF-06FB000C280	HF-06VB000C28S	HF-06VB000C280



HF-ØFA...S SINGLE WALL		HF-ØFB...S SINGLE WALL			HF-ØFA...0 DOUBLE WALL		HF-ØFB...0 DOUBLE WALL												
Ø	A	Ø	A	B	Ø	A	Ø	A	B										
Inch	mm	Inch	mm	Inch	mm	Inch	mm	Inch	mm										
3	76	21	533	3	76	19	483	22	559	3	76	23	584	3	76	21	533	25	635
4	102	22	559	4	102	20	508	23	584	4	102	24	610	4	102	22	559	26	660
5	127	23	584	5	127	21	533	26	660	5	127	26	660	5	127	23	584	28	711
6	152	25	635	6	152	22	559	27	686	6	152	27	686	6	152	25	635	29	737
7	178	26	660	7	178	23	584	28	711	7	178	28	711	7	178	26	660	31	787
8	203	27	686	8	203	25	635	29	737	8	203	29	737	8	203	27	686	32	813
9	229	28	711	9	229	26	660	32	813	9	229	30	762	9	229	28	711	34	864
10	254	29	737	10	254	27	686	33	838	10	254	31	787	10	254	29	737	35	889
12	305	31	787	12	305	29	737	35	889	12	305	34	864	12	305	31	787	40	1016
14	356	34	864	14	356	31	787	39	991	14	356	36	914	14	356	34	864	42	1067
16	406	36	914	16	406	34	864	41	1041	16	406	38	965	16	406	36	914	44	1118
18	457	38	965	18	457	36	914	45	1143	18	457	41	1041	18	457	38	965	48	1219
20	508	41	1041	20	508	38	965	47	1194	20	508	43	1092	20	508	41	1041	50	1270
22	559	43	1092	22	559	41	1041	51	1295	22	559	45	1143	22	559	43	1092	54	1372
24	610	45	1143	24	610	43	1092	53	1346	24	610	47	1194	24	610	45	1143	56	1422

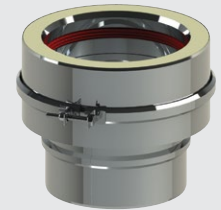
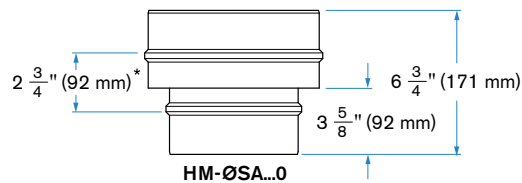
**Note:** All available flue diameter sizes are in inches. Flue diameters: 3", 4", 5", 6", 7", 8", 9", 10", 12", 14", 16", 18", 20", 22" and 24"

# ADAPTERS

## SINGLE TO DOUBLE WALL ADAPTER - SA

**Single to Double Wall Adapter:** permits transition from a single wall system to a double wall or insulated system. Includes a factory installed silicone gasket and locking band.

	DOUBLE WALL	
Flue	AL29-4C	SS 444
Casing	SS 430	SS 430
<b>PRODUCT CODE</b>	HE-ØSA...0	
EXAMPLE	HM-06SAF26D280	HM-06SAE26D280

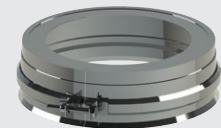
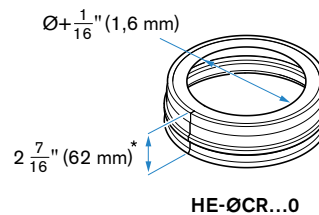


SINGLE TO DOUBLE WALL  
3"Ø TO 24"Ø

## DOUBLE WALL CLOSURE RING - CR

**Double Wall Closure Ring:** Required in conjunction with double wall systems that terminate horizontally. Includes a locking band.

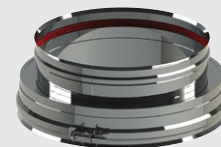
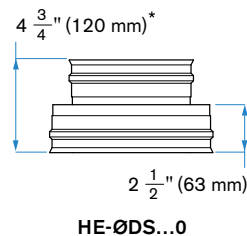
	DOUBLE WALL	
Flue	AL29-4C	SS 444
Casing	SS 430	SS 430
<b>PRODUCT CODE</b>	HE-ØCR...0	
EXAMPLE	HM-06CRF26D280	HM-06CRE26D280



## DOUBLE TO SINGLE WALL ADAPTER - DS

**Double to Single Wall Adapter:** Permits transition from a single wall system to a double wall system. Includes a factory installed silicone gasket and locking band.

	DOUBLE WALL	
Flue	AL29-4C	SS 444
Casing	SS 430	SS 430
<b>PRODUCT CODE</b>	HE-ØDS...0	
EXAMPLE	HM-06DSF26D280	HM-06DSE26D280



3"Ø TO 24"Ø DOUBLE TO SINGLE WALL

Contact ICC for special appliance adapters.  
[industrial@icc-rsf.com](mailto:industrial@icc-rsf.com)

**Note:** All available flue diameter sizes are in inches. Flue diameters: 3", 4", 5", 6", 7", 8", 9", 10", 12", 14", 16", 18", 20", 22" and 24"

# VIC QUOTATION REQUEST

Name: \_\_\_\_\_  
 Date: \_\_\_\_\_  
 Job: \_\_\_\_\_  
 PC / ZIP: \_\_\_\_\_  
 Page: \_\_\_\_\_

Revised: May 10, 2021  
 industrial@icc-rsf.com  
 P: (450) 565-6336  
 F: (450) 565-6519



SINGLE WALL	
<input type="checkbox"/>	F = AL29-4C
<input type="checkbox"/>	E = SS 444

DOUBLE WALL	
<input type="checkbox"/>	FD = AL29-4C / SS 430
<input type="checkbox"/>	ED = SS 444 / SS 430

INSULATED	
<input type="checkbox"/>	FD = AL29-4C / SS 430
<input type="checkbox"/>	ED = SS 444 / SS 430

INT. Ø	QTY	CODE	DESCRIPTION	INT. Ø	QTY	CODE	DESCRIPTION
<b>CHIMNEY LENGTHS</b>				<b>ADAPTERS</b>			
		<b>L1</b>	12" Length			<b>AC</b>	Clamp Adapter 1916 -1 3/16
		<b>L2</b>	24" Length			<b>AC</b>	Clamp Adapter 4" only 0000 -1
		<b>L3</b>	36" Length			<b>AC</b>	Clamp Adapter 0116 -15/16
		<b>L4</b>	48" Length SS 444 ONLY			<b>AC</b>	Clamp Adapter 0108 -7/8
		<b>L6</b>	6" Length			<b>AC</b>	Clamp Adapter 0316 -13/16
		<b>A1</b>	Adjustable Length 1'			<b>AC</b>	Clamp Adapter 0104 -3/4
		<b>A2</b>	Adjustable Length 2'			<b>AC</b>	Clamp Adapter 1116 -5/16
		<b>H1</b>	Horizontal Drain Section (LHD)			<b>AC</b>	Clamp Adapter 0508 -3/8
		<b>LT</b>	Inline Test Port Section (IPS)			<b>AC</b>	Clamp Adapter 0916 -7/16
		<b>DT</b>	Vertical Inline Test Port & Drain (DIPSD)			<b>AC</b>	Clamp Adapter 0102 -1/2
		<b>LD</b>	12" Length With Damper			<b>AC</b>	Clamp Adapter 0716 -9/16
		<b>VD</b>	Vertical Drain Length			<b>AC</b>	Clamp Adapter 0308 -5/8
		<b>LV</b>	Double Wall Ventilated Section (DLV)			<b>AC</b>	Clamp Adapter 0516 -11/16
<b>ELBOWS</b>						<b>CA</b>	Clamp Adapter 0304 -1/4
		<b>E0</b>	Elbow 2°			<b>CA</b>	Clamp Adapter 1316 -3/16
		<b>E1</b>	Elbow 15°			<b>CA</b>	Clamp Adapter (STD) 0708 -1/8
		<b>E3</b>	Elbow 30°			<b>CA</b>	Clamp Adapter 1516 -1/16
		<b>E4</b>	Elbow 45°			<b>CA</b>	Clamp Adapter 0000 Ø
		<b>E9</b>	Elbow 90°			<b>CA</b>	Clamp Adapter 0116 +1/16
<b>TEE'S</b>						<b>CA</b>	Clamp Adapter 0108 +1/8
		<b>BT</b>	Boot Tee			<b>CA</b>	Clamp Adapter 0316 +3/16
		<b>BI</b>	Boot Tee Inverse			<b>CA</b>	Clamp Adapter 0104 +1/4
		<b>BT</b>	Boot Tee (Manifold)			<b>CL</b>	Clamp Adapter 1-1/2" Longer (CALO)
		<b>TR</b>	Tee 90°			<b>CF</b>	Clamp Adapter Female (ACF)
		<b>TB</b>	Tee 90° Removable Branch (TRB)			<b>FA</b>	Adapter ANSI 150 (A150)
		<b>TI</b>	Tee 90° Inverse			<b>SC</b>	Single To Double Wall Adapter, FLANGE (SD)
		<b>TR</b>	Tee 90° (Manifold)			<b>SD</b>	Double To Single Wall Adapter, FLANGE (SDF)
		<b>TC</b>	Tee Cap			<b>SE</b>	Adapter Female Doubl To Singl, FLANGE (SDFL)
		<b>TD</b>	Tee Cap, Drain			<b>BK</b>	Adapter Clamp - AERCO BENCHMARK (BMK)
<b>FLASHINGS</b>						<b>AT</b>	Reducer - (ACRT)
		<b>FF</b>	Flat flashing			<b>RT</b>	Reducer Test Port & Drain (ACRT)
		<b>FA</b>	Flashing 1/12-7/12			<b>DF</b>	Adapter CAMUS DFNH (Second Dia Optional)
		<b>FB</b>	Flashing 8/12-12/12			<b>ED</b>	Adapter FULTON
		<b>VF</b>	Ventilated Flat Flashing			<b>FF</b>	Adapter CFLC 6000/8000
		<b>VA</b>	Ventilated Flashing 1/12-7/12			<b>FH</b>	Adapter FAPF PRIMO FAN
		<b>VB</b>	Ventilated Flashing 8/12-12/12			<b>FI</b>	Adapter FAPF PRIMO FAN Female
		<b>SC</b>	Storm Collar			<b>GT</b>	Clamp Adapter GT430 (ACGT)
<b>SUPPORTS</b>						<b>PA</b>	Adapter PVC
		<b>BS</b>	Base Support			<b>PB</b>	Adapter Female PVC
		<b>WS</b>	Wall Support			<b>VT</b>	Adapter Vitodens 200-W
		<b>GB</b>	Guy Band			<b>FIRE STOPS</b>	
		<b>HB</b>	Horizontal Band			<b>FS</b>	Firestop
<b>TERMINATIONS</b>						<b>RS</b>	Radiation Shield
		<b>RC</b>	Rain Cap			<b>R2</b>	Radiation Shield (RS2)
		<b>MC</b>	Miter Cut Length			<b>WT</b>	Wall Thimble
		<b>SR</b>	Screened Closure Ring (SCR)			<b>R1</b>	Roof Radiation Shield (RRS)
		<b>SF</b>	Screen Closure Ring Female (SCRF)			<b>IT</b>	Taper Increaser
		<b>DS</b>	Double To Single Wall Adapter (DSA)			<b>RT</b>	Taper Reducer
		<b>EC</b>	Exit Cone			<b>LOCKING BANDS</b>	
		<b>CR</b>	Double Wall Closure Ring (DCR)			<b>LA</b>	Locking Band Adjustable Length
		<b>SA</b>	Single To Double Wall Adapter (SDA)			<b>LB</b>	Locking Band Øs, Ø+2d, Ø+2i



# CONDENSING VENT WARRANTY

## 15 YEAR LIMITED WARRANTY

Industrial Chimney Company warrants to the original owner that model VIC Condensing Vent will be free of functional failure as a result of defects in materials or workmanship for a period of 15 years. This is a limited warranty subject to the following conditions.

- The system must be installed in accordance with ICC's written installation instructions and applicable building codes.
- The system must be inspected and maintained in accordance with ICC's written installation instructions.
- The system must only be used to vent appliances for which it is designed and certified.
- This warranty does not cover wear and tear that results from normal use, nor does it warranty systems installed in a corrosive environment.

## REMEDIES UNDER THIS WARRANTY:

If a properly installed and maintained model VIC Condensing Vent System fails, the owner shall notify ICC in writing and shall not initiate repairs until instructed to do so by an authorized ICC representative. ICC will at its discretion repair, replace, or provide a refund for all defective parts.

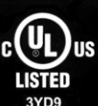
ICC is not responsible for the labor costs related to the inspection, removal and replacement of the vent system.

ICC is not responsible for the shipping costs.

ICC is not responsible for any special, consequential, or incidental damage incurred by the owner or its contractors.

Any parts replaced under this warranty will be covered for the unexpired term of the original warranty.

## LISTING

	<b>MODEL / MODÈLE VIC</b> LISTED FACTORY-BUILT CONDENSING VENT ÉVENT À CONDENSATION PRÉFABRIQUÉ HOMOLOGUÉ	DIAMETER DIAMÈTRE	MAXIMUM APPLIANCE RATED TEMPERATURE TEMPÉRATURE NOMINALE MAXIMALE DE L'APPAREIL	FULLY ENCLOSED ENCLONNEMENT COMPLÈT		UNENCLOSED NON-ENCLONNÉ	
				VERT.	HORIZ.	VERT.	HORIZ.
<b>SINGLE WALL VENT MINIMUM CLEARANCES TO COMBUSTIBLE MATERIALS</b> ÉVENT À PAROI SIMPLE - DÉGAGEMENTS MINIMAUX AUX MATÉRIEAUX COMBUSTIBLES							
SPECIAL GAS VENT TYPE BH CLASS I, II 245°C MAX.  TESTED TO / TESTÉ SELON UL 1738 ULC-S636  <b>F</b> <b>L</b> <b>O</b> <b>W</b>	<ul style="list-style-type: none"> <li>• FOR USE WITH CATEGORY I, II, III &amp; IV GAS APPLIANCES WITH CONTINUOUS FLUE GAS TEMPERATURE AS SHOWN IN TABLE BESIDE.</li> <li>• INSTALL IN ACCORDANCE WITH ICC INSTALLATION INSTRUCTIONS.</li> <li>• SUITABLE FOR INTERIOR OR EXTERIOR INSTALLATION.</li> <li>• POUR RACCORDEMENT À DES APPAREILS À GAZ DE CATÉGORIE I, II, III &amp; IV ÉVACUANT DES GAZ DE COMBUSTION DE TEMPÉRATURE TEL QU'INDIQUÉ DANS LE TABLEAU DE DROITE.</li> <li>• INSTALLER SELON LES INSTRUCTIONS D'INSTALLATION D'ICC.</li> <li>• POUR INSTALLATION À L'INTÉRIEUR OU À L'EXTÉRIEUR.</li> </ul>	3-5" (76-127mm)	400°F (204°C) 480°F (249°C) 550°F (288°C)	3" (76mm) 4" (102mm) 6" (152mm)	N/A	N/A	1" (25mm)
		6-10" (152-254mm)	300°F (149°C)				1" (25mm)
		6-12" (152-305mm)					2" (50mm)
		14" (356mm)	550°F (288°C)	N/A	N/A		3" (76mm)
		16-20" (406-508mm)					4" (102mm)
		22-24" (559-610mm)					5" (127mm)
<b>DOUBLE WALL VENT MINIMUM CLEARANCES TO COMBUSTIBLE MATERIALS</b> ÉVENT À PAROI DOUBLE - DÉGAGEMENTS MINIMAUX AUX MATÉRIEAUX COMBUSTIBLES							
		3-8" (76-203mm)					1" (25mm)
		9-12" (229-305mm)	550°F (288°C)	1" (25mm)	N/A	1" (25mm)	2" (50mm)
		14-18" (356-457mm)					3" (76mm)
		20-24" (508-610mm)					4" (102mm)
<b>INSULATED DOUBLE WALL VENT CLEARANCES TO COMBUSTIBLE MATERIALS</b> ÉVENT À PAROI DOUBLE ISOLÉ - DÉGAGEMENTS MINIMAUX AUX MATÉRIEAUX COMBUSTIBLES							
		3-24" (76-610mm)	550°F (288°C)	2" (50mm)	N/A		2" (50mm)

ICC Industrial Chimney Company Inc.  
ICC Compagnie de cheminées industrielles inc.  
St-Jérôme, Québec, Canada

Made in Canada  
Fabriqué au Canada

933034

# VIP+

POSITIVE PRESSURE  
CHIMNEY



6" TO 24"  
DOUBLE WALL – INSULATED



# VIP

POSITIVE PRESSURE  
CHIMNEY



6" TO 48"  
DOUBLE WALL - INSULATED



# IS

CHIMNEY

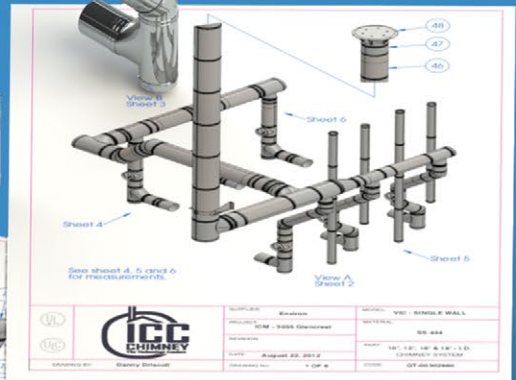


6" TO 48"  
DOUBLE WALL - INSULATED



# VIC

## CONDENSING VENT



**ICC - INDUSTRIAL CHIMNEY COMPANY INC.**  
 400 J-F KENNEDY, ST-JEROME  
 QUEBEC, CANADA, J7Y 4C7  
 TEL.: 450 565-6336  
 FAX: 450 565-6519  
 EMAIL: INDUSTRIAL@ICC-RSF.COM

**DISTRIBUTED BY**